

**Water flow diagram CG6600**



KAFFEEVOLLAUTOMAT  
MACCHINA DA CAFFÈ AUTOMATICA  
AUTOMATIC COFFEE MACHINE

AEG CG6600

(INT)

---

TECHNISCHE DATEN / DATA TECNICI / TECHNICAL DATA

---

Spannung / Voltaggio / Voltage	V / Hz 230 - 240 / 50 - 60
Max. Aufnahmeleistung / Max. potenza assorbita / Max. input power	W 1350

---

SEKTION KAFFEE / SEZIONE CAFFÈ / COFFEE SECTION

---

Temperaturwerte / Sonda termica / Temperature probe	°C 98 (Caffè / Coffee) °C 98 (Acqua calda / Hot water)
Thermosicherung TCO / Fusibile termico / Thermal fuse FS	°C 192
Heizelement / Resistenza riscaldamento / Heating element	W 600 + 600
Pumpe / Pompa / Pump	TYPE / W ULKA EP5 / 48

---

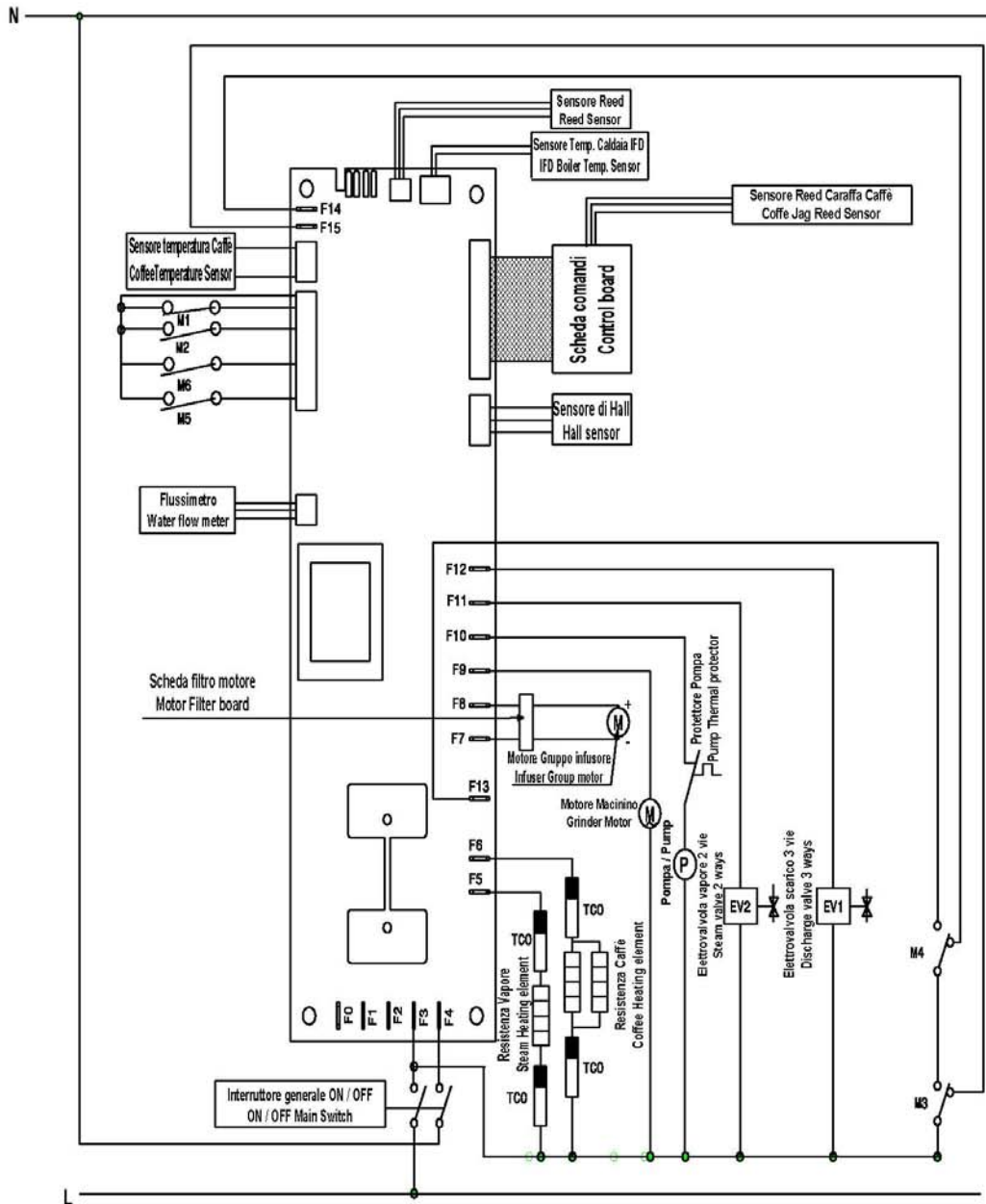
DAMPF SEKTION / SEZIONE VAPORE / STEAM SECTION

---

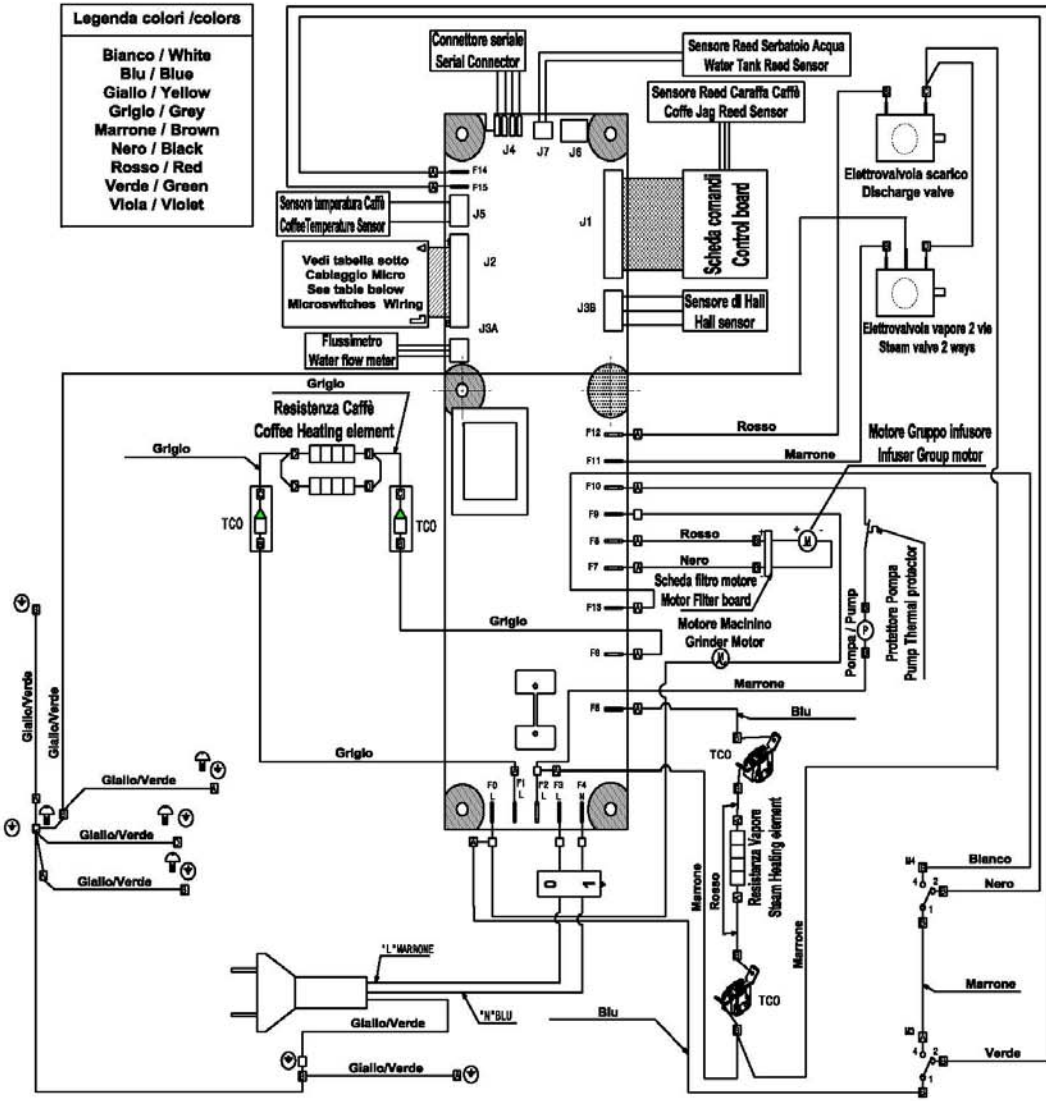
Temperaturwerte / Sonda termica / Temperature probe	°C 145 (Vapore / Steam)
Thermo-Sicherung TCO / Fusibile termico / Thermal fuse	°C 318
Heizelement / Resistenza riscaldamento / Heating element	W 1000

---

# SCHEMA ELETTRICO / ELECTRICAL DIAGRAM



# SCHEMA ELETTRICO / ELECTRICAL DIAGRAM

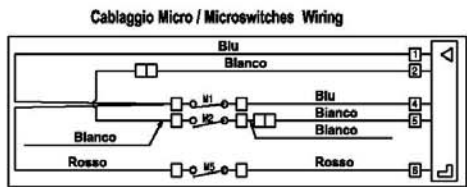


**Legenda colori / colors**

- Bianco / White
- Blu / Blue
- Giallo / Yellow
- Grigio / Grey
- Marrone / Brown
- Nero / Black
- Rosso / Red
- Verde / Green
- Viola / Violet

**Legenda Micro / Microswitches**

M1	Infusore alto / Infuser top position
M2	Infusore basso / Infuser bottom position
M3	Cassetto fondi / Coffee grounds container
M4	Portina Service / Service Door
M5	Rubinetto acqua calda / vapore / Hot Water / Steam tap



Interruttore generale ON / OFF  
ON / OFF Main Switch

# AEG

## TEST PROCEDURE AEG GC 6600

Electrolux



### **TEST PROCEDURE**

To enter the **test procedure**, press and hold one cup + "Menu" buttons, then plug the machine on.

Now you can check the devices one by one pressing the following buttons:

- "1 Cup": Heater ON (check with the amperometer);
- "2 Cups": Grinder on,
- "Steam ": Pump ON;
- "Menu": Vaporizer ON (check with the amperometer);
- "ON/OFF": Motor down;
- "ON/OFF+": Motor up;
- "Menu"
- "JUG": EV1 ON(solenoid valves)  
EV2 ON.

### **DISPLAY TEST MODE**

To enter the **display test mode**, press and hold "2 Cups" + "Menu" buttons, then plug the machine on. Pressing each button, the display will show a different number, to show the buttons are working.

To exit the procedures, unplug the machine.

---