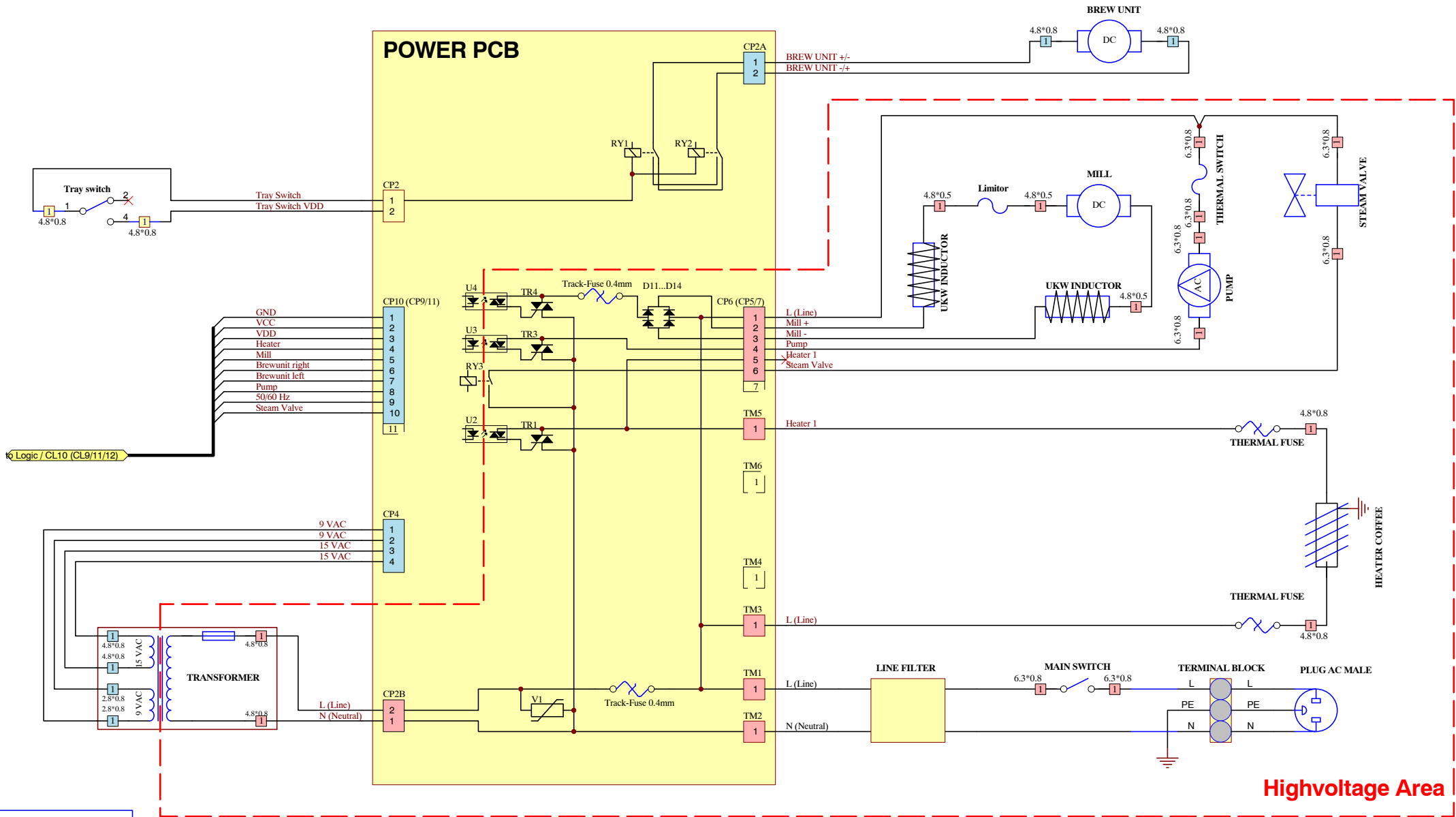


Document No.	Rev	Sheet-No.
58300000122252 ASP EN A		1
Material No. 678/679 220-240 V 50/60Hz	TK69./TCA68.	of 2
		KI02



Legend

1	I < 0.2A
1	I ≥ 0.2A, U < 48V
1	I ≥ 0.2A, U ≥ 48V

Document No.	Rev	Sheet-No.
58300000122252 ASP EN A		2
Material No. 678/679 220-240V 50/60 Hz	TK69./TCA68.	of 2
		KI02