

S13365 Impressa XF50 black EU 230V/50Hz [SCHUKO] 648 A4  
Switch

Edition: 02/09/08

The Spare Part List is valid for the following articles:

13365 Impressa XF50 black EU 230V/50Hz [SCHUKO] Switch

The Variant designations mean:

go Individual parts on separate parts list

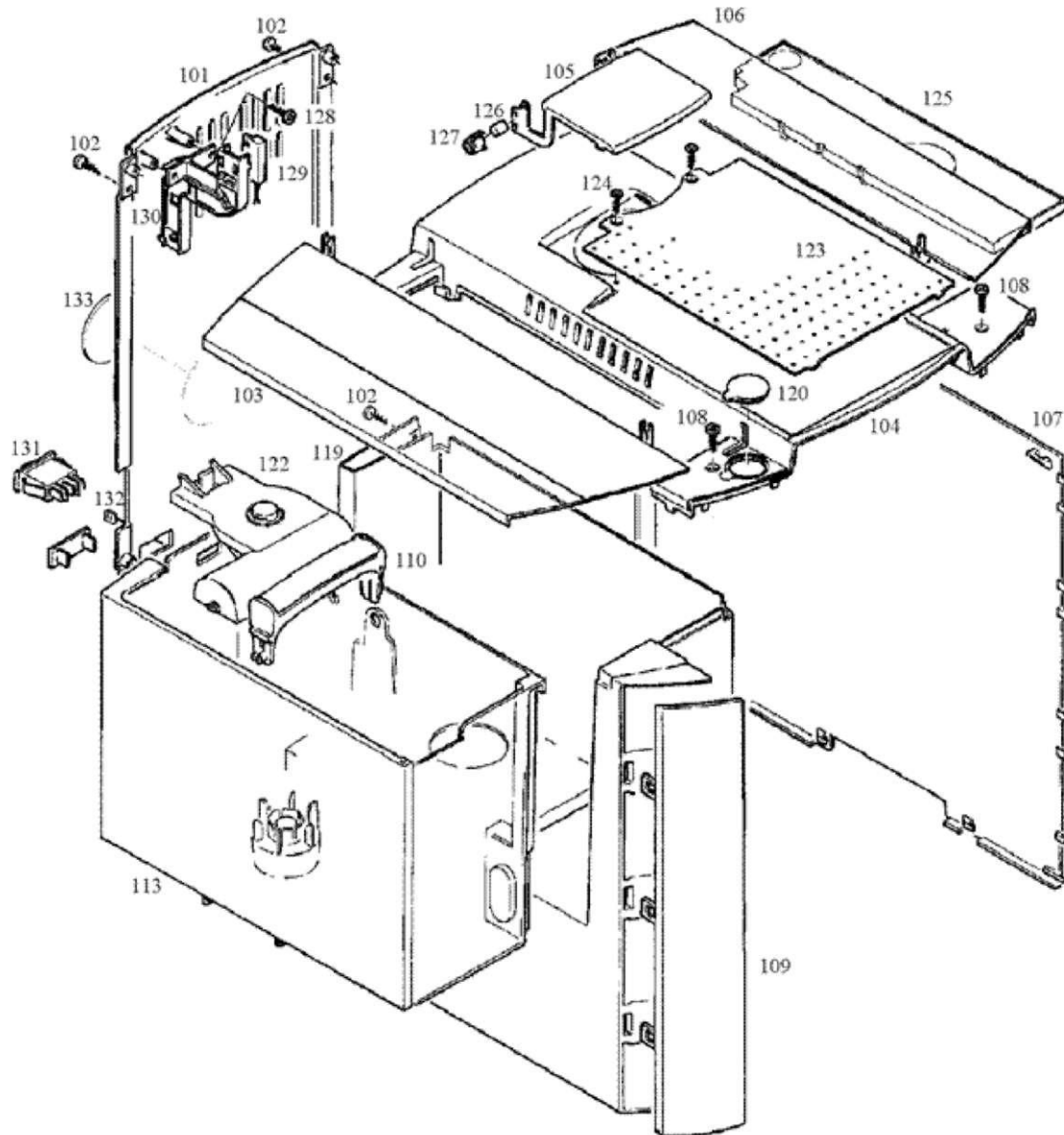
REP Recycled parts

Switch

Edition: 02/09/08

**(1) Case components and water tank**

S13365\_01



Switch

Edition: 02/09/08

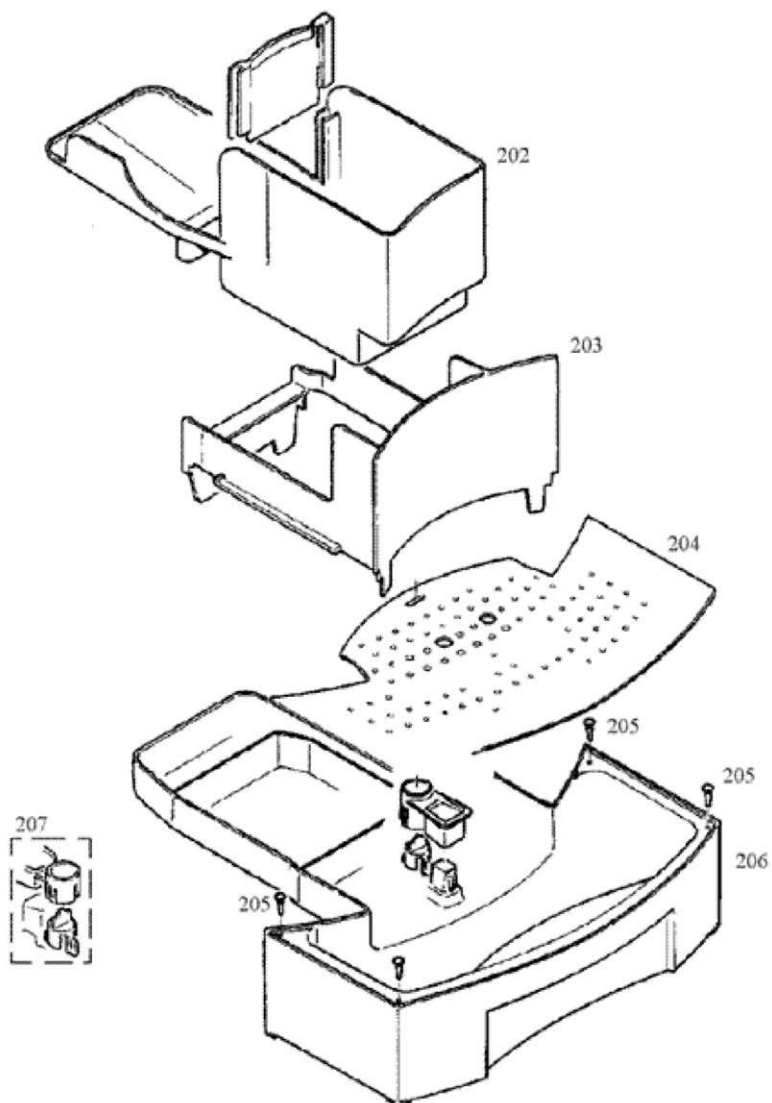
Art.-Nr.	Pos	Designation	Variation	Stock	SC
65170	0101	Back black		X	
65799	0102	Screw KST/PT 3x12 vz-sw RoHS		X	
65565	0103	Tank lid black		X	
65406	0104	Cover housing black		X	
65407	0105	Powder funnel lid black		X	
61827	0106	Bean container lid black		X	
61829	0107	Right side section black		X	
65946	0108	Screw KST/PT 3.5x12 RoHS		X	
65572	0109	Shield alu black left		X	
65566	0110	Handle watertank black		X	
65605	0113	Watertank assembled		X	
65571	0119	Left side section black		X	
63223	0120	Service plug cover		X	
65567	0122	Bracket		X	
65410	0123	Cup support inox		X	
65408	0124	Screw KST 3x12		X	
64115	0125	Lid to preserve aroma		X	
62161	0126	Magnet		X	
64131	0127	Magnetic support black		X	
62587	0128	Fillister head screw 3x12		X	
64112	0129	Reed sensor		X	
64130	0130	Reed sensor fixing plate		X	
62047	0131	Main switch		X	
65789	0132	Connecting main switch brown		X	
65970	0133	Emblem Jura D=39.5mm V2		X	

Switch

Edition: 02/09/08

**(2) Pan**

S13365\_02



S13365 Impresa XF50 black EU 230V/50Hz [SCHUKO] 648 A4

ELEKTROAPPARATE AG |

Switch

Edition: 02/09/08

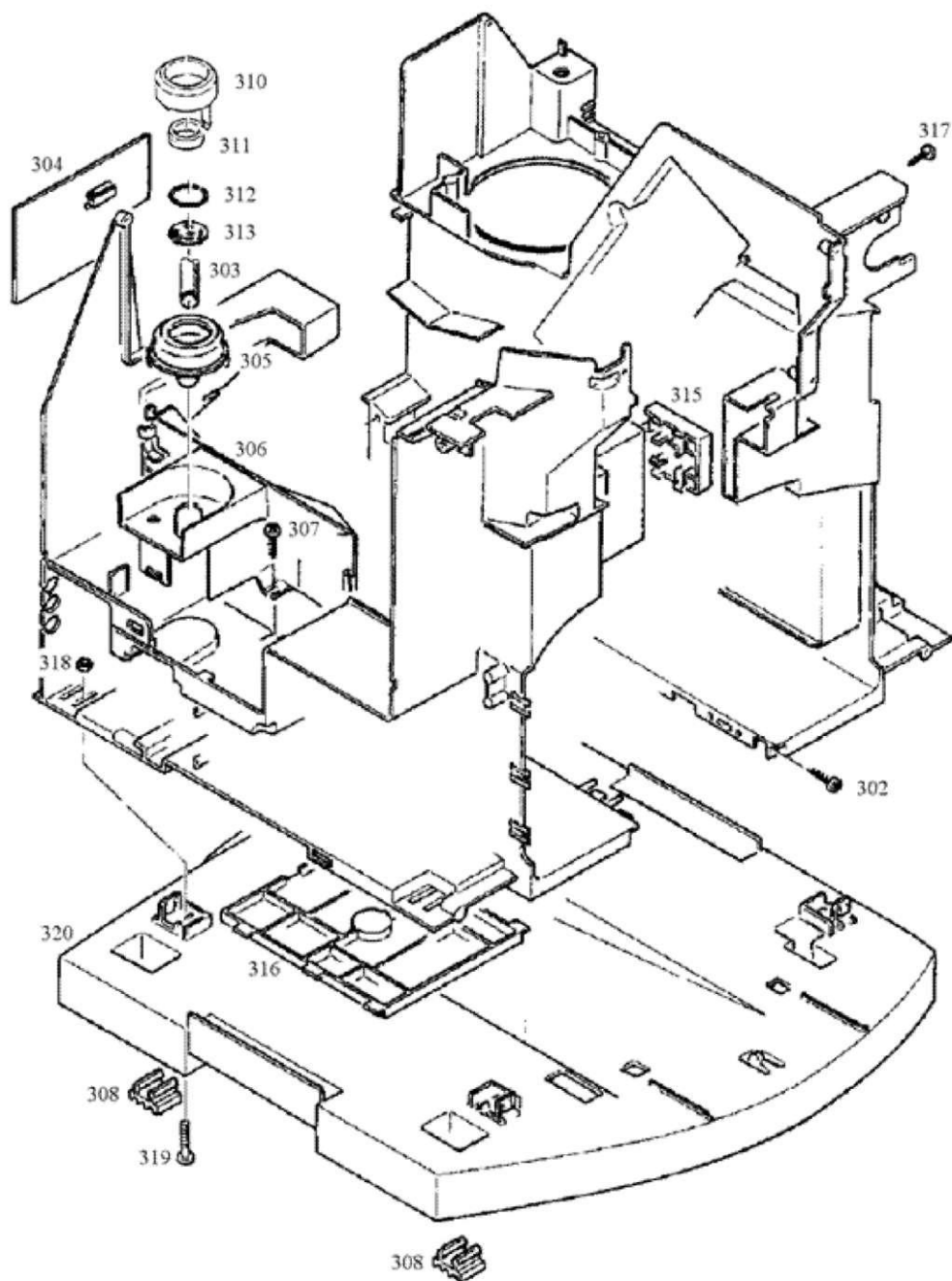
Art.-Nr.	Pos	Designation	Variation	Stock	SC
65568	0202	Used ground container with rag		X	
65569	0203	Used ground pan black		X	
65570	0204	cup platform inox		X	
65473	0205	Rubber buffer		X	
65575	0206	Drain pan black		X	
63512	0207	Floater red cpl.		X	

Switch

Edition: 02/09/08

### (3) Case components

S13365\_03



Switch

Edition: 02/09/08

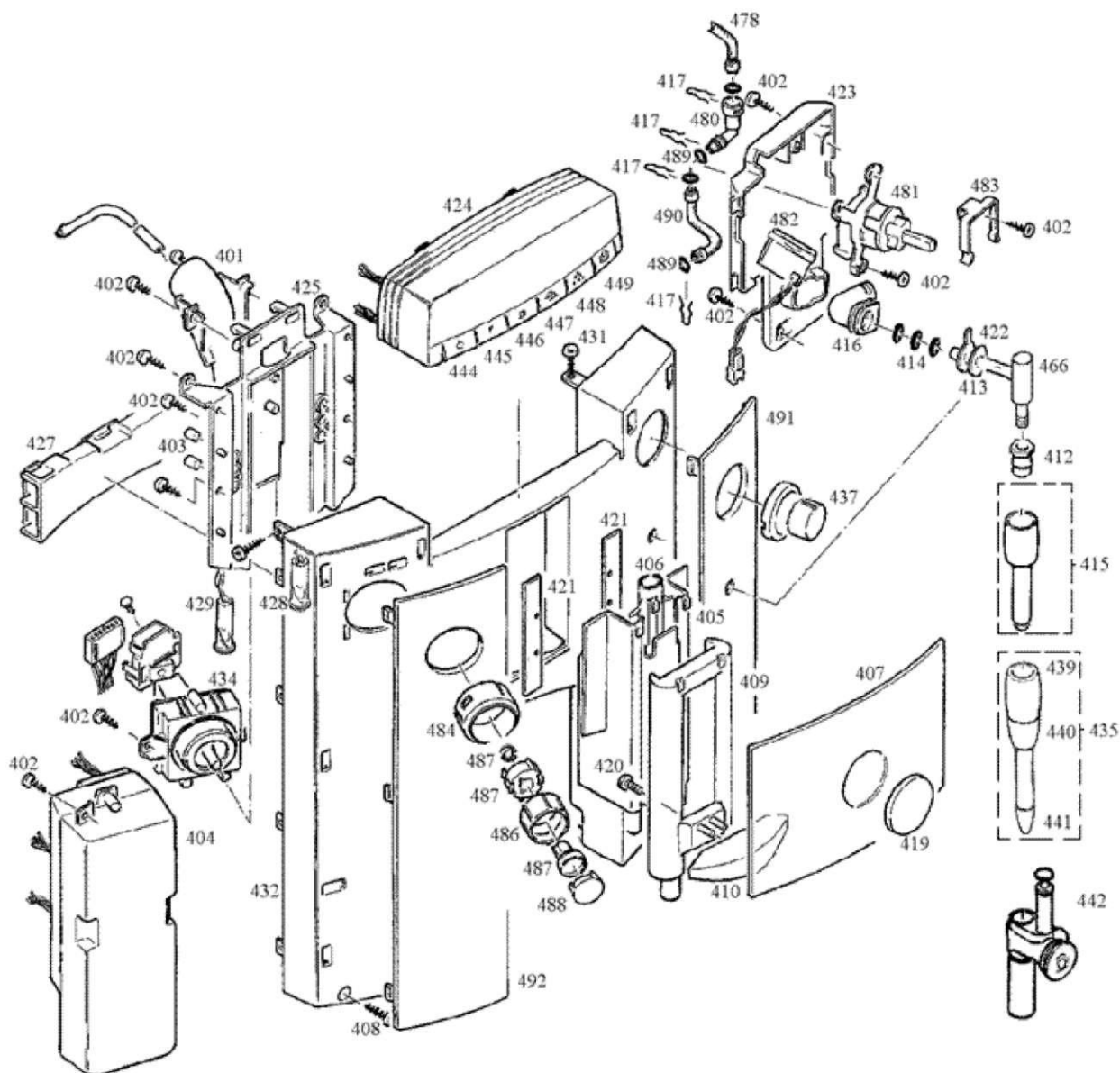
Art.-Nr.	Pos	Designation	Variation	Stock	SC
65757	0302	Screw KST/PT 3.5x12 RoHS		X	
61805	0303	Silicone hose 5x2x280 70sh		X	
62322	0304	Funnel plate black		X	
58637	0305	Valve activator set		X	
61806	0306	Valve carrier black		X	
62942	0307	Fillister head screw 3.5x12		X	
58590	0308	Foot		X	
59455	0310	Valve cap		X	
64049	0311	O-ring 100pcs (sep. 59456)		X	
59456	0311	Inner distributing collar		X	
58830	0312	Safetyring		X	
58829	0313	Sieve		X	
63011	0315	Reed contact support		X	
64683	0316	Cover cable case		X	
58894	0317	Pt-screw nom dia 35x16		X	
64029	0318	Nut M4 6KT		X	
65004	0319	Screw M4x20 Inox		X	
65576	0320	Base		X	

Switch

Edition: 02/09/08

### (4) Front cover

S13365\_04





Switch

Edition: 02/09/08

Art.-Nr.	Pos	Designation	Variation	Stock	SC
63351	0401	Discharge channel		X	
63501	0402	Screw M3x10 Torx10		X	
62161	0403	Magnet		X	
67379	0404	Electronic box Mask N		X	
63342	0405	Outlet gate black		X	
65639	0406	Funnel black removable		X	
65573	0407	Front shield black		X	
65757	0408	Screw KST/PT 3.5x12 RoHS		X	
63343	0409	Sleeve		X	
63344	0410	Outlet gate handle		X	
63354	0412	Steam nozzle black		X	
65446	0413	Insulation washer		X	
64046	0414	O-ring 100pcs (sep. 58620)		X	
65252	0415	Water tube F90 assembled		X	
58817	0416	Discharge pipe connection		X	
58625	0417	Clamp		X	
65970	0419	Emblem Jura D=39.5mm V2		X	
64687	0420	Screw GF/Tapt.M4x10 vz-bl		X	
63355	0421	Plate		X	
63352	0422	Discharge pipe chromium plated		X	
64111	0423	Mounting plate		X	
66050	0424	Display V2 RoHS		X	
63341	0425	Guide for outlet gate		X	
64149	0427	Cable housing nature		X	
63232	0428	Lamp grey		X	
63287	0429	Lamp blue		X	
62942	0431	Phillister head screw 3.5x12		X	
64110	0432	Front profile black		X	
65985	0434	Rotarybox V2 RoHS		X	
65057	0435	Discharge pipe assembled		X	
64422	0437	Steam Turn-knob cpl.		X	
65641	0439	Pipe with handle		X	
65642	0440	Discharge pipe shield		X	
65643	0441	Jet body assembled		X	
67692	0442	Easy-Auto-Cappuccino-Düse kurz	go s67692	X	
66928	0444	Button black power		X	
66927	0445	Button black progr.		X	
66926	0446	Button platinum 1cup		X	
66925	0447	Button platinum 2cups		X	
66924	0448	Button black cleaning		X	
66923	0449	Button black steam		X	
63680	0466	Discharge pipe cap		X	
64107	0478	Hose FEP 4x2.5x260mm		X	
64114	0480	Valve connection		X	
64136	0481	Steam valve assembled		X	
65986	0482	Steam pcb V2 RoHS		X	
64139	0483	Switch spring		X	
64123	0484	Turn-knob silver		X	
64126	0486	Turn-knob rotary silver		X	
64569	0487	Turn knob support		X	
64121	0488	Cap Rotary silver		X	
68057	0489	O-ring 100pcs (sep. 63444)		X	

S13365 Impresa XF50 black EU 230V/50Hz [SCHUKO] 648 A4  
Switch

ELEKTROAPPARATE AG |

Edition: 02/09/08

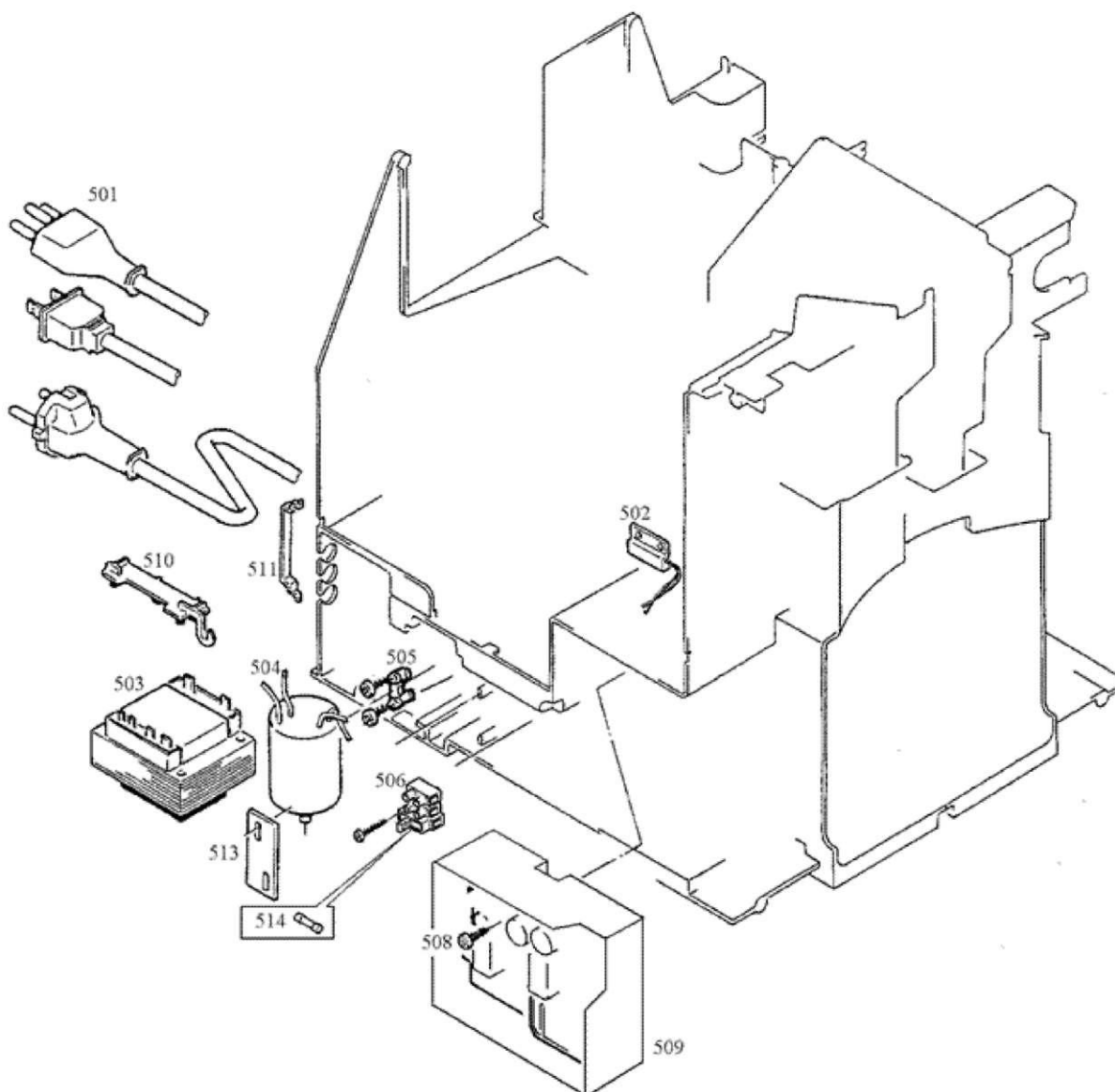
64132	0490	Shaped hose assembled	X
65470	0491	Front shield black right	X
65469	0492	Front shield black left	X

Switch

Edition: 02/09/08

### (5) Printed power circuit board

S13365\_05



S13365 Impresa XF50 black EU 230V/50Hz [SCHUKO] 648 A4

ELEKTROAPPARATE AG |

Switch

Edition: 02/09/08

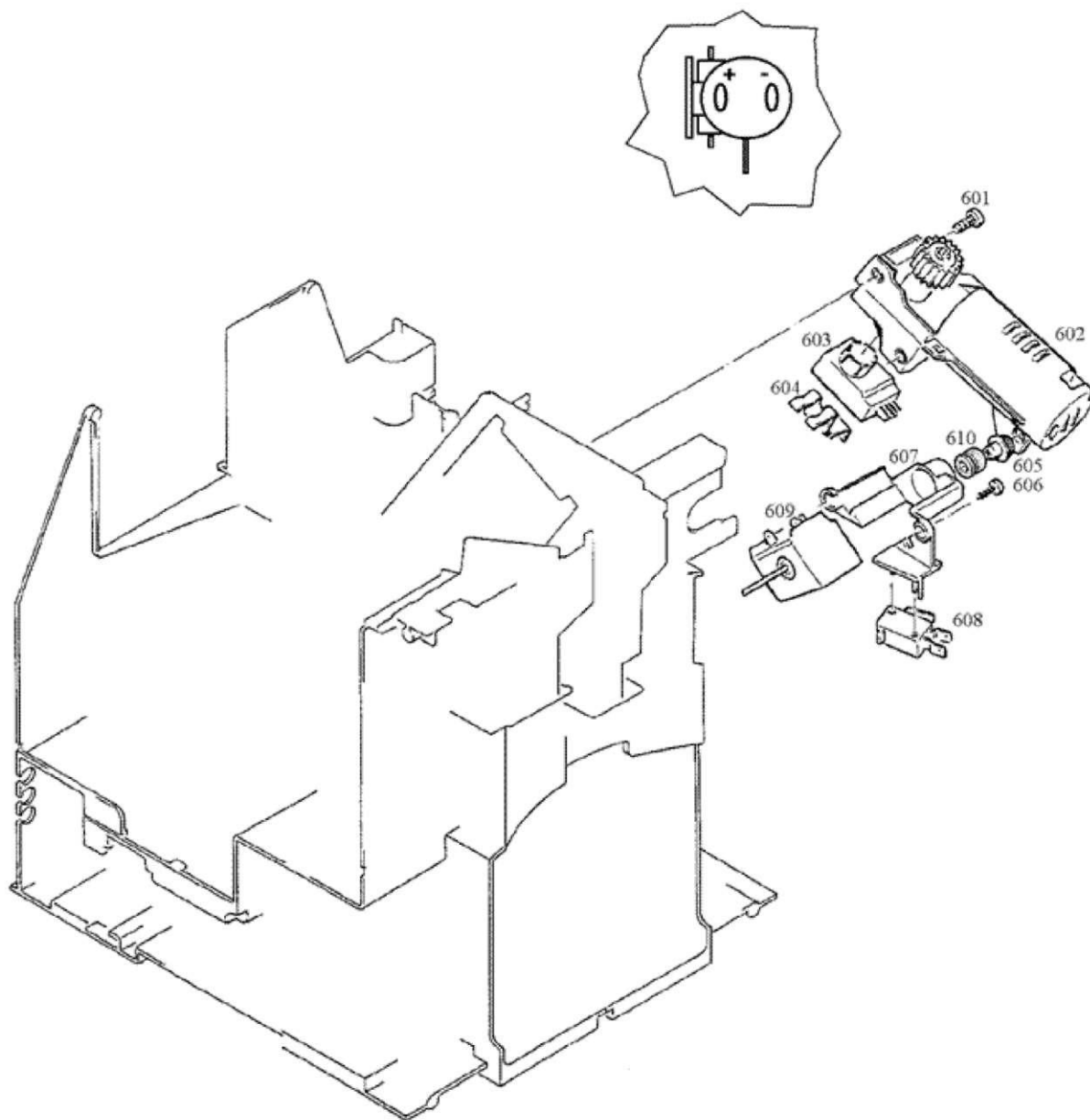
Art.-Nr.	Pos	Designation	Variation	Stock	SC
66198	0501	Incoming feeder sw RoHS		X	
61800	0502	Reed sensor		X	
66286	0503	Transformer 230V		X	
64682	0504	Interference eliminator		X	
58656	0505	Cable retaining clip		X	
66763	0506	Terminal 3/503 Si Ds GW		X	
62942	0508	Fillister head screw 3.5x12		X	
66203	0509	Power pcb 230V		X	
62840	0510	Transformer fixing plate		X	
62476	0511	Wire clamp		X	
65059	0513	Clamp		X	
66762	0514	Fuse 10A/250 V T		X	

Switch

Edition: 02/09/08

**(6) Drive**

S13365\_06



S13365 Impresa XF50 black EU 230V/50Hz [SCHUKO] 648 A4

ELEKTROAPPARATE AG |

Switch

Edition: 02/09/08

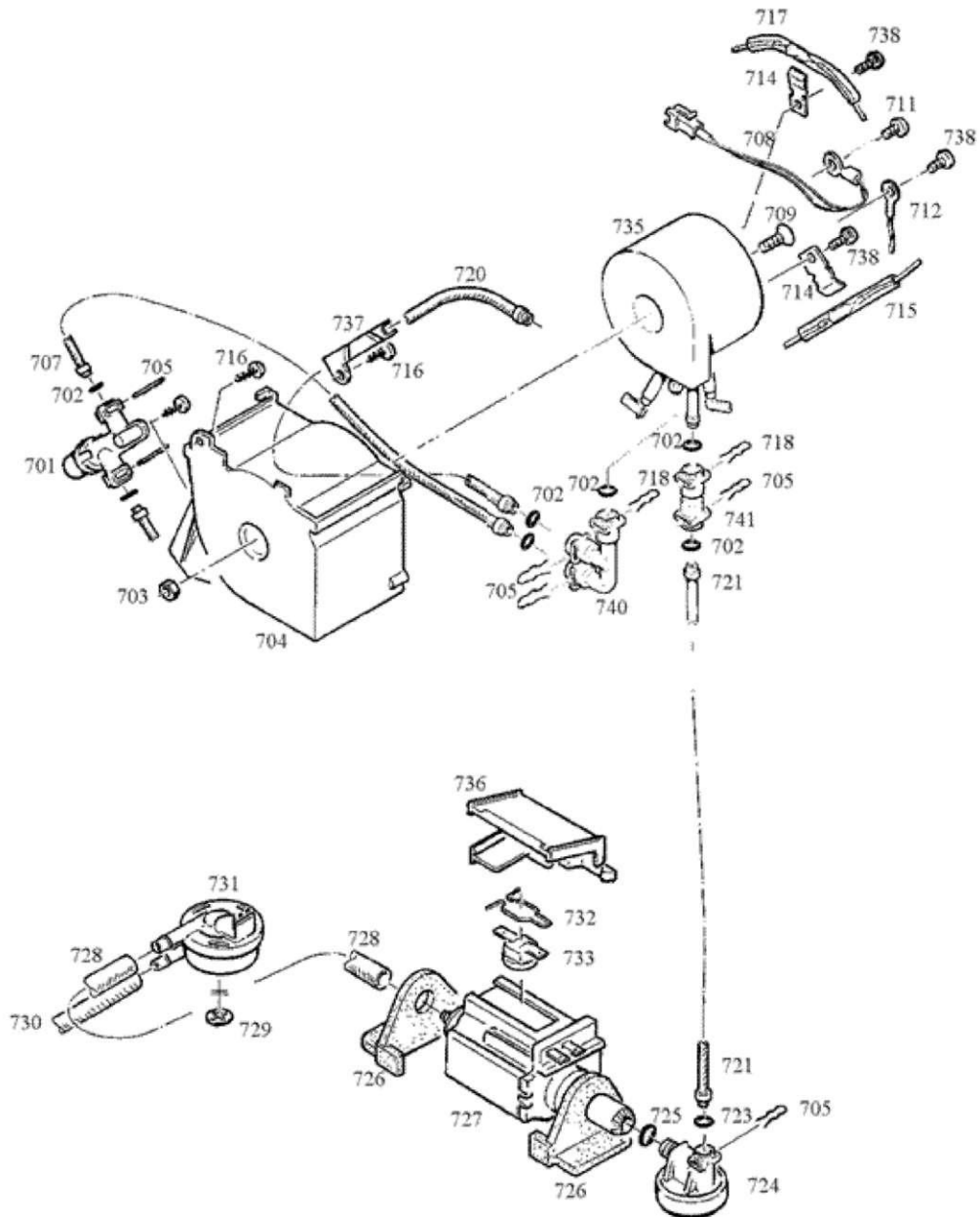
Art.-Nr.	Pos	Designation	Variation	Stock	SC
65743	0601	Screw M5x12 vz-blau Li-K		X	
65954	0602	Geared motor E30 ass. RoHS		X	
65870	0603	Encoder V2 RoHS		X	
61787	0604	Clamp to encoder		X	
61788	0605	Bearing body black to drive		X	
62942	0606	Fillister head screw 3.5x12		X	
64489	0607	Drainage valve support		X	
65676	0608	Microswitch 125-250V		X	
66767	0609	Magnet drainage valve IEC 230V		X	
59469	0610	Rubber buffer		X	

Switch

Edition: 02/09/08

### (7) Heater

S13365\_07



Switch

Edition: 02/09/08

Art.-Nr.	Pos	Designation	Variation	Stock	SC
66289	0701	Dispenser valve thermoblock		X	
68057	0702	O-ring 100pcs (sep. 63444)		X	
63368	0703	Nut M6		X	
63502	0704	Heating support thermoblock		X	
58625	0705	Clamp		X	
63356	0707	Pressure hose 4x2.5x150mm		X	
59176	0708	Sensor thermoblock complete		X	
64925	0709	Screw M6x16 vz-bl Senk-K		X	
65798	0711	Oval-headed screw M5x8 RoHS		X	
64135	0712	Silicone cord EU 210mm		X	
62671	0714	Fuse clamp TB2001		X	
66207	0715	Fused-cord EU 192C		X	
62942	0716	Fillister head screw 3.5x12		X	
66206	0717	Fused-cord EU 192C		X	
64982	0718	Clamp D=5mm		X	
64107	0720	Hose FEP 4x2.5x260mm		X	
66822	0721	Hose FEP 4x2.5x130mm		X	
64048	0723	O-ring 100pcs (sep. 58775)		X	
59504	0724	Membrane controller		X	
64050	0725	O-ring 100pcs (sep. 58921)		X	
59465	0726	Pump carrier version 2		X	
59394	0727	Pump cp3a/st 230v 50hz 65w		X	
64332	0728	Silicone hose 5x2x165mm		X	
58636	0729	Retaining ring starlock d=3		X	
61805	0730	Silicone hose 5x2x280 70sh		X	
59391	0731	Flowmeter fhksc 12r 0-degree		X	
63289	0732	Clamp to thermostat 1NT		X	
63190	0733	Thermostat 115C/10A 1NT01L		X	
66820	0735	T-Block sold. nipp. 230V/1400W		X	
63802	0736	Cover black		X	
64133	0737	Clamping black		X	
62670	0738	Screw M4x8		X	
66821	0740	Connection		X	
65822	0741	Connection forme-I short		X	





S13365 Impresa XF50 black EU 230V/50Hz [SCHUKO] 648 A4

ELEKTROAPPARATE AG |

Switch

Edition: 02/09/08

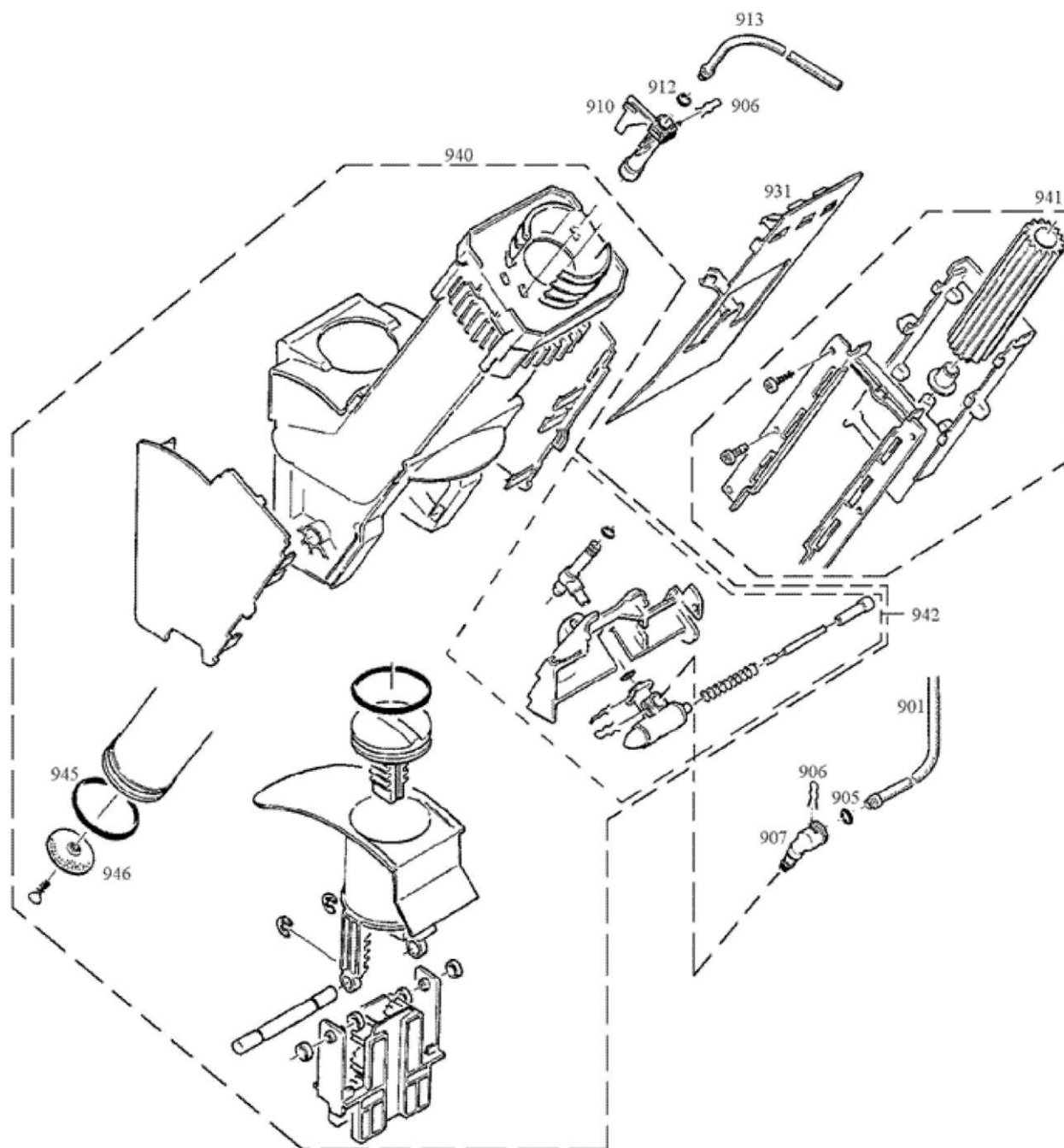
Art.-Nr.	Pos	Designation	Variation	Stock	SC
62942	0802	Fillister head screw 3.5x12		X	
61791	0803	Turn-knob black		X	
61792	0804	Gearwheel to grinding adjustme		X	
63506	0806	Bean container seal		X	
61793	0807	Bean container black printed		X	
62079	0808	Screw kst/PT		X	
59469	0809	Rubber buffer		X	
59468	0810	Tubular rivet 4x0.4x10 ms blan		X	
64068	0811	Funnel black V2		X	
65955	0812	Grinder unit V2 J. 230V RoHS		X	
65512	0813	Adapter black V3		X	
59559	0814	Cap black		X	
62916	0815	Bar		X	
63337	0816	Washer		X	
63507	0817	Bean container seal		X	
62587	0819	Fillister head screw 3x12		X	
65714	0835	Temp.-feeler Johnson motor		X	
62549	0837	Tie-rap		X	
65717	0838	Insulation		X	

Switch

Edition: 02/09/08

**(9) Brew unit**

S13365\_09



Switch

Edition: 02/09/08

Art.-Nr.	Pos	Designation	Variation	Stock	SC
65168	0901	Hose FEP 4x2.5x250mm		X	
64054	0905	O-ring 100pcs (sep. 94389)		X	
58625	0906	Clamp		X	
64114	0907	Valve connection		X	
63347	0910	Discharge channel brown		X	
64048	0912	O-ring 100pcs (sep. 58775)		X	
63357	0913	Pressure hose 4x2.03x210mm		X	
60383	0931	Used ground blade		X	
62100	0940	Brew unit universal		X	
62093	0941	Guide assembled repaired	REP	X	
61845	0941	Guide assembled		X	
63577	0942	Drainage valve V2		X	
67315	0945	O-ring brew unit		X	
67314	0945	O-ring 100pcs (sep. 67313)		X	
66756	0946	Sieve V3		X	

**(10) Supplement**

§13365\_10

1001



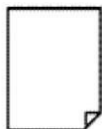
Verpackung/  
Packing

1010



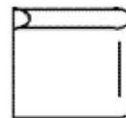
Betriebsmittel/  
Operational funds

1020



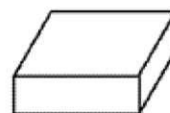
Hinweise/  
References

1040



Bedienungsanleitung/  
Operating instructions

1060



Beipack/  
Supplement

S13365 Impresa XF50 black EU 230V/50Hz [SCHUKO] 648 A4

ELEKTROAPPARATE AG |

Switch

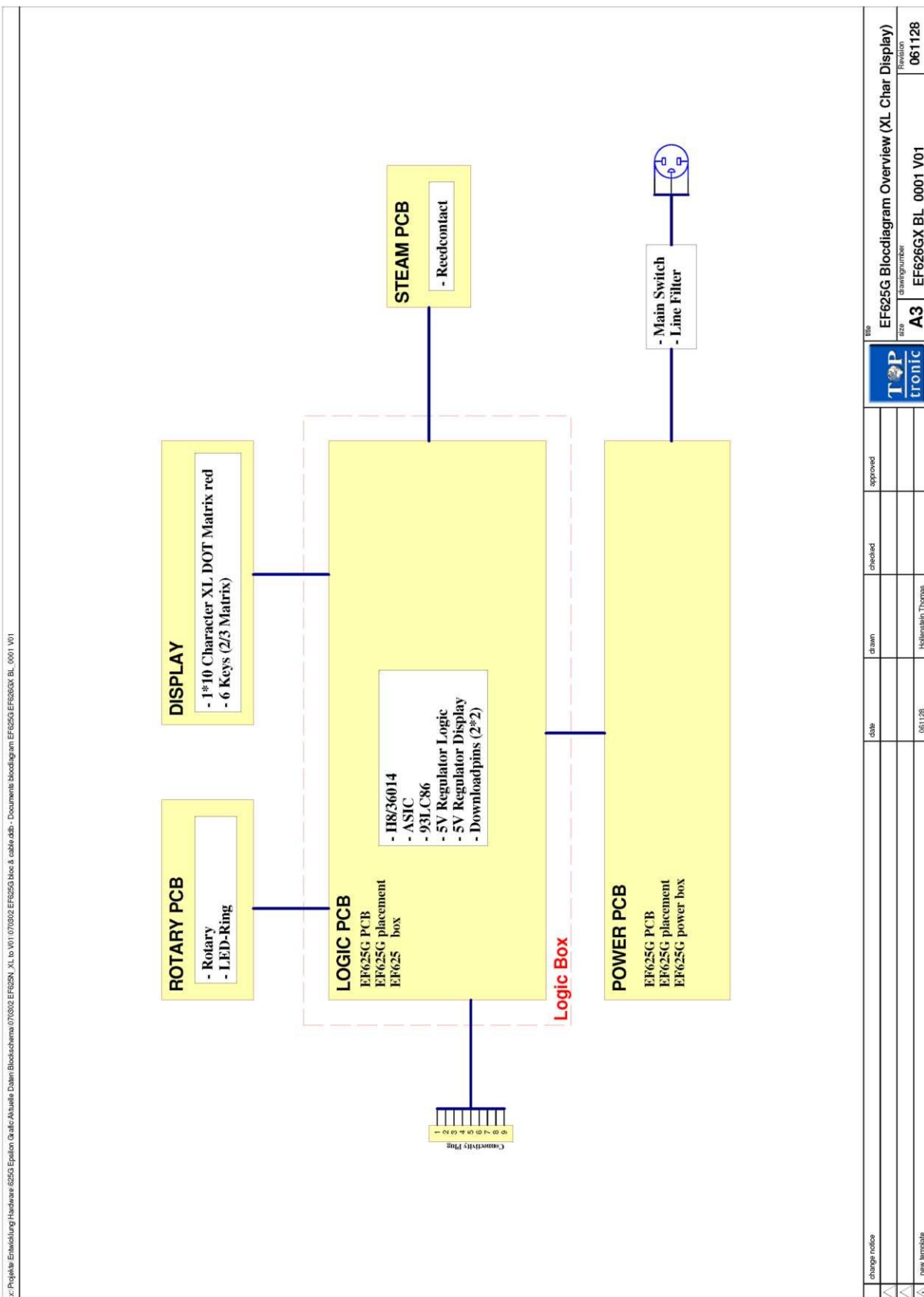
Edition: 02/09/08

Art.-Nr.	Pos	Designation	Variation	Stock	SC
65578	1001	Styropor 2-stage		X	
65318	1001	Picture carton line-X		X	
63394	1001	Insert styropor		X	
65606	1010	Quantimeter black		X	
59633	1010	Cleaning tablets		X	
66496	1020	Jura Contacts Sticker		X	
63599	1020	Guarantee Com. 2-J IN		X	
63597	1020	Guarantee Com. 2-J EU		X	
58437	1020	Sticker bean container g/f/i/e		X	
67305	1040	Instructions XF50 8-lang.		X	
65301	1040	Brief instructions XF 50 H		X	
65300	1040	Brief instructions XF 50 E		X	
65299	1040	Brief instructions XF 50 F		X	
65298	1040	Brief instructions XF 50 D		X	
LINKB	1060	Supplement	go SWP648		

Switch

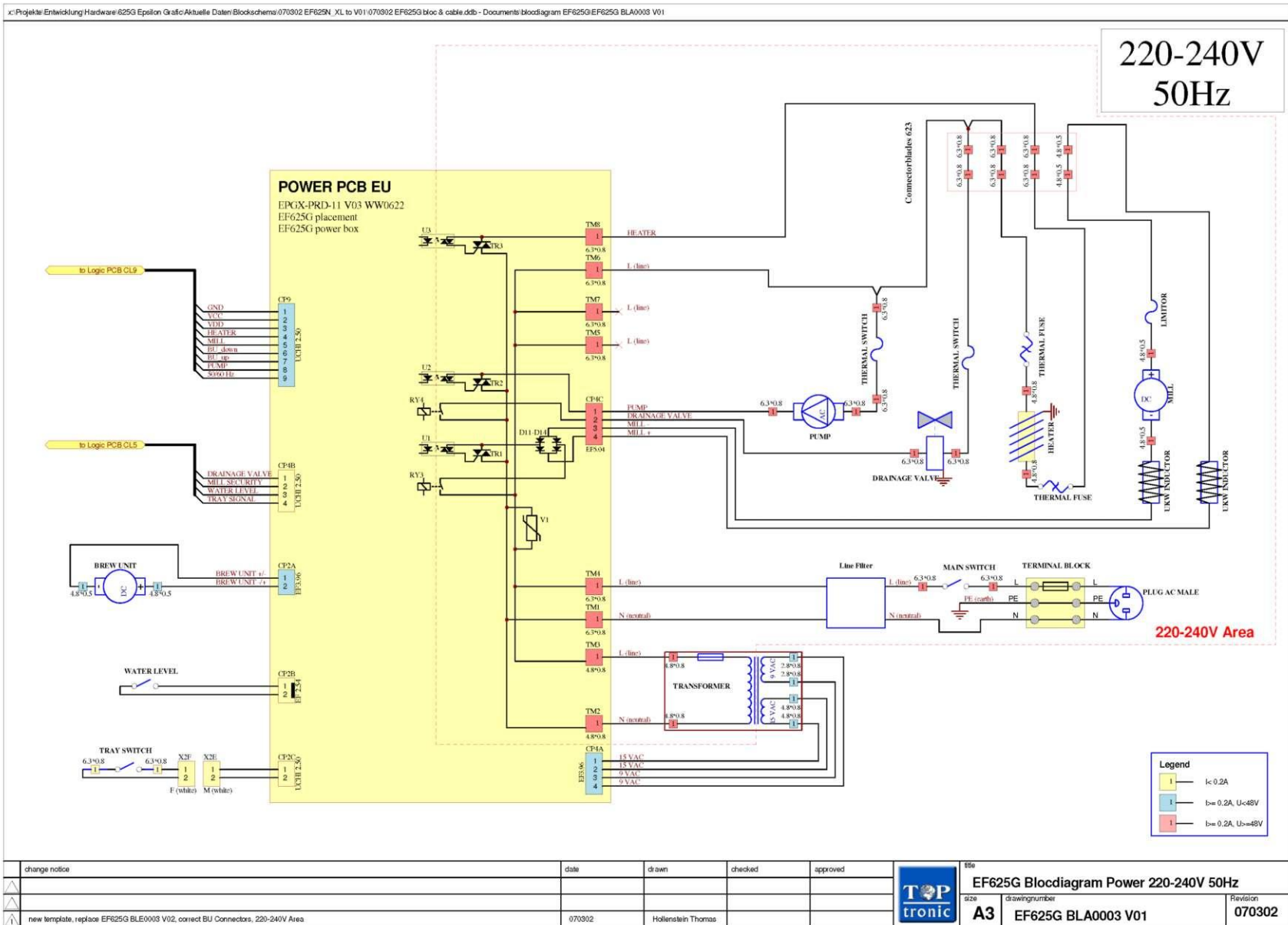
Edition: 02/09/08

(1) Main diagram









Switch

Edition: 02/09/08

(4) Fluid System

