

S13297 Impresa XS90 black EU 230V/50Hz [SCHUKO] 650 B1
Switch

Edition: 06/08/08

The Spare Part List is valid for the following articles:

13297 Impresa XS90 black EU 230V/50Hz [SCHUKO] Switch
13297R Impresa XS90 black EU 230V/50Hz [SCHUKO] Switch

The Variant designations mean:

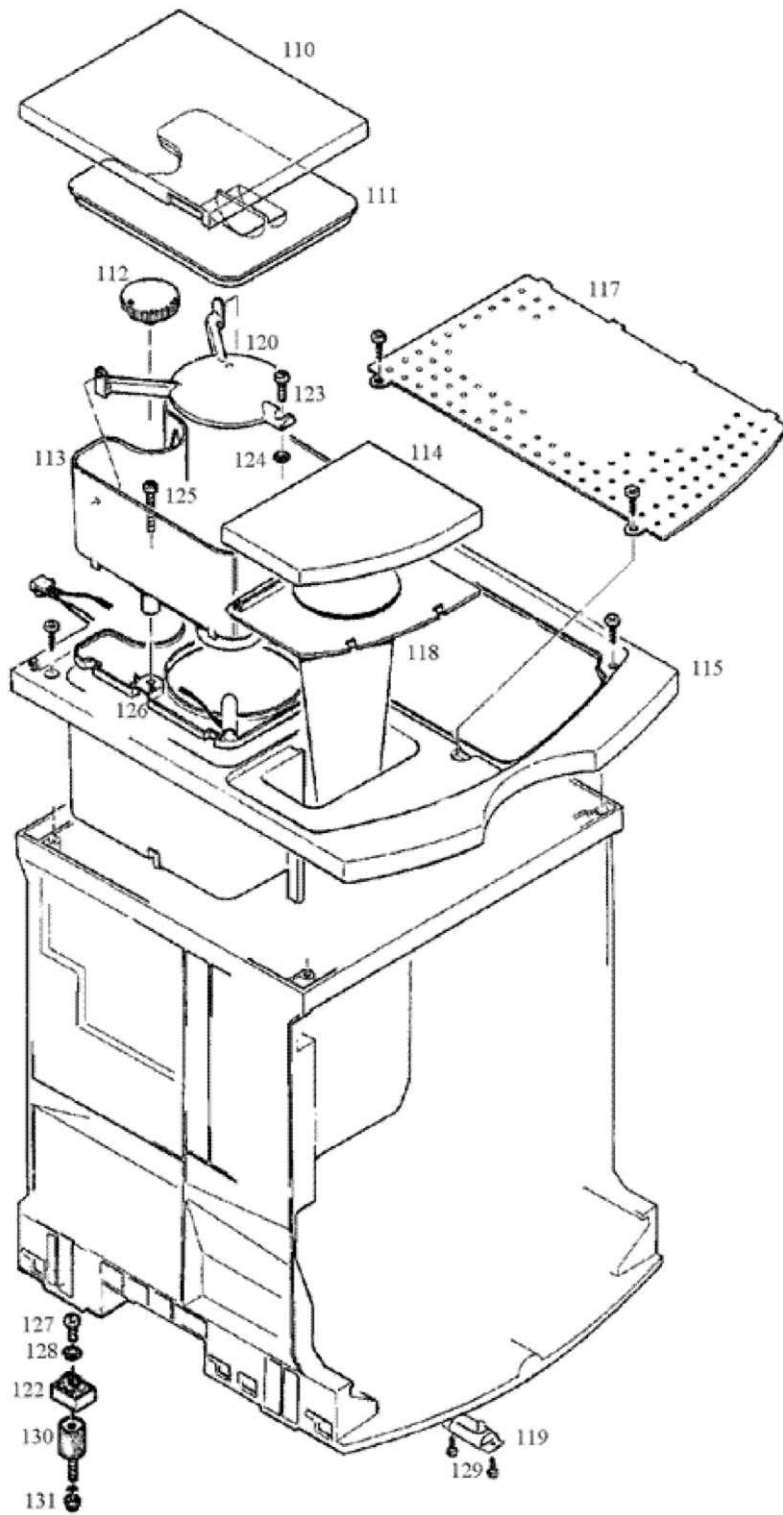
go Individual parts on separate parts list
REP Recycled parts

Switch

Edition: 06/08/08

(1) Case cover

S13297_01



Switch

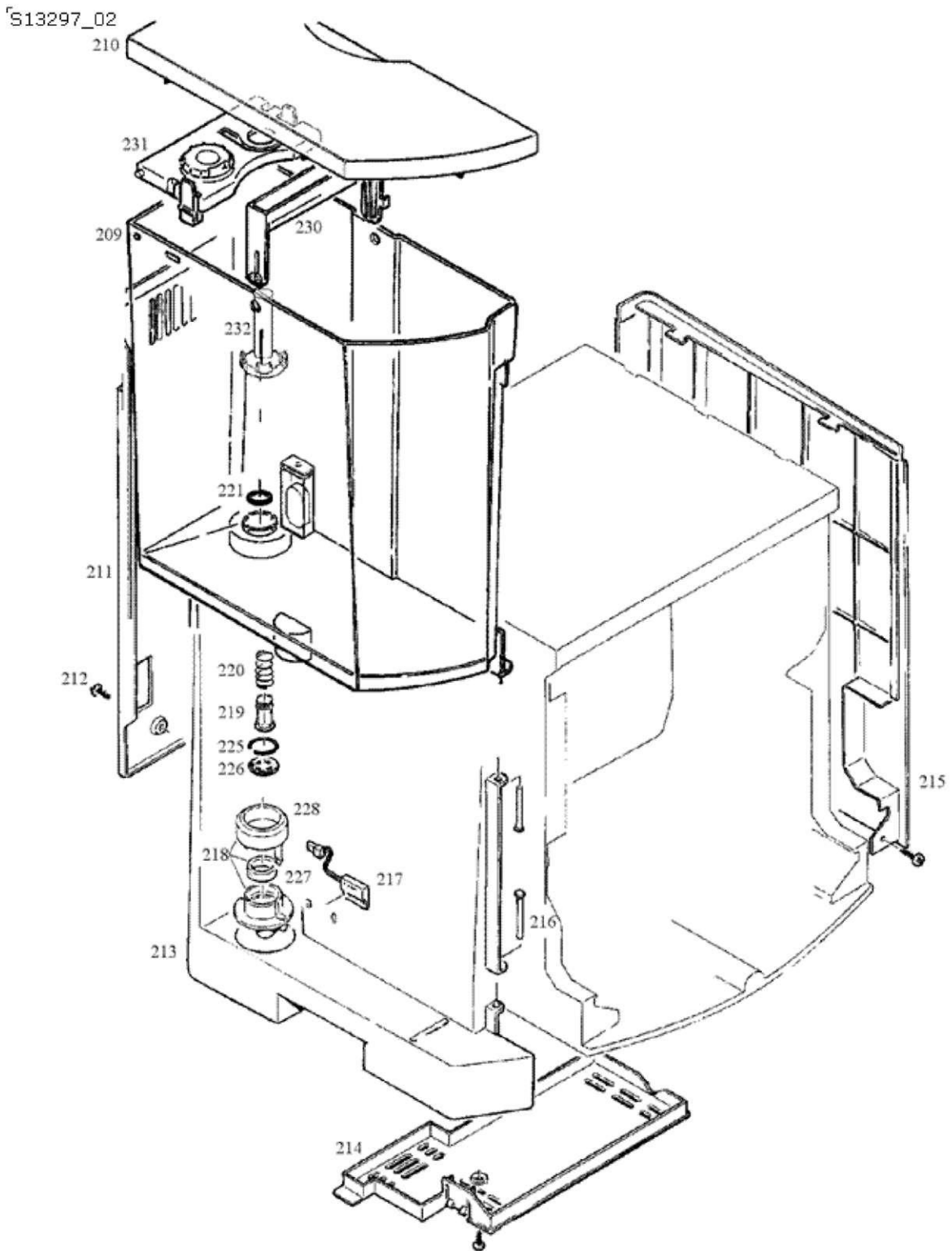
Edition: 06/08/08

Art.-Nr.	Pos	Designation	Variation	Stock	SC
59723	0110	Bean container lid black		X	
58585	0111	Lid to preserve aroma		X	
62141	0112	Turn-knob black printed		X	
64969	0113	Bean container black		X	
59725	0114	Powder funnel lid black		X	
59757	0115	Housing lid complete black		X	
62170	0117	Cup support		X	
59724	0118	Powder funnel black		X	
67479	0119	Drain pan spring		X	
64976	0120	Finger guard		X	
59094	0122	Snap connector black		X	
65008	0123	Screw M4x12 vz-bl.		X	
64931	0124	Safetyring		X	
62849	0125	Screw M4x25		X	
67909	0126	IR-Sensor for bean container		X	
94394	0127	Fillister head screw M4x8		X	
92290	0128	Retaining ring		X	
67793	0129	Screw KST/PT 3.5x0.8		X	
65874	0130	Puffer RoHS Typ B		X	
65740	0131	Nut M4		X	

Switch

Edition: 06/08/08

(2) Case components and water tank



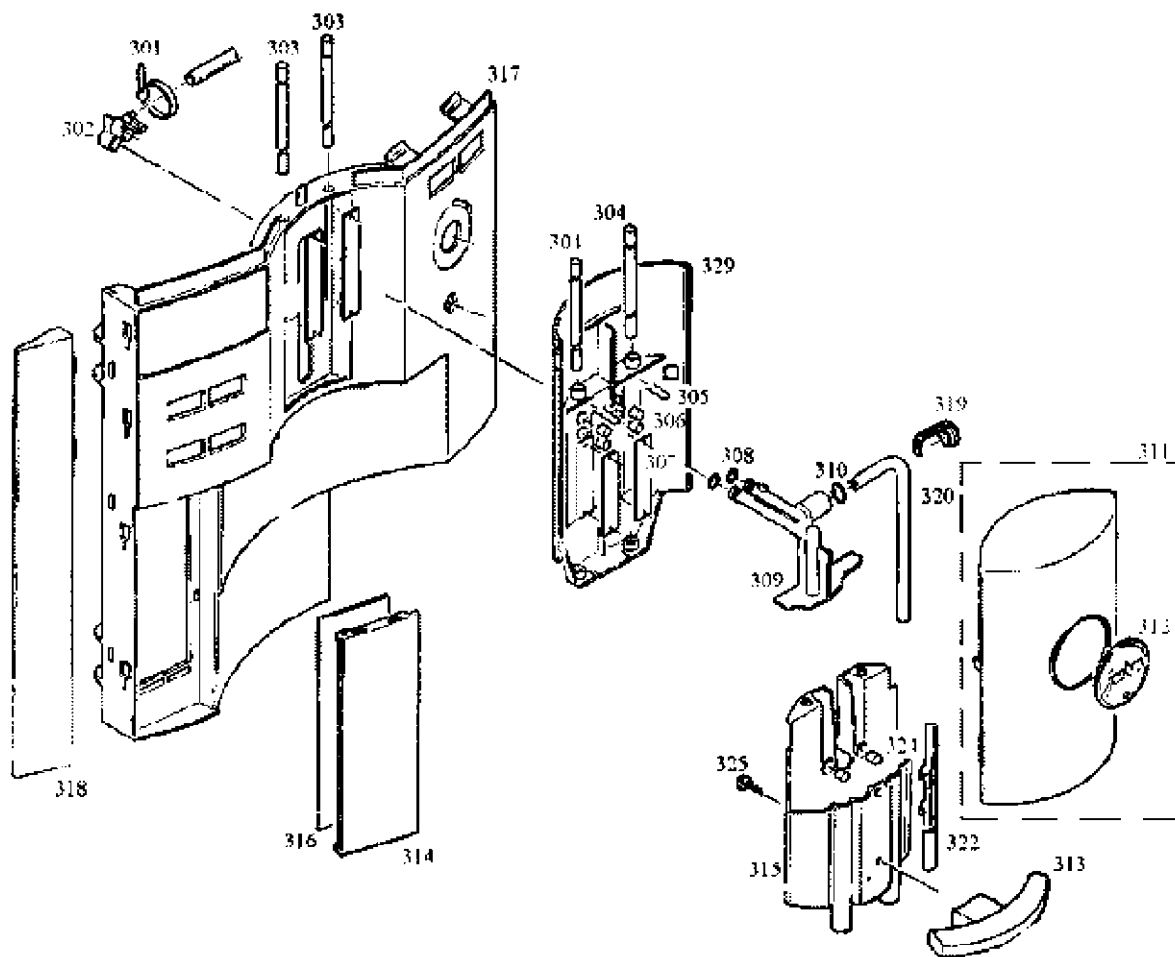
Switch

Edition: 06/08/08

Art.-Nr.	Pos	Designation	Variation	Stock	SC
62318	0209	Water tank X90 complete		X	
62212	0210	Tank lid black		X	
65747	0211	Back black		X	
65799	0212	Screw KST/PT 3x12 vz-sw RoHS		X	
59727	0213	Tank base black		X	
58601	0214	Cover cable case		X	
59728	0215	Right side section black		X	
58600	0216	Joint spindle		X	
63978	0217	Reed sensor		X	
58637	0218	Valve activator set		X	
58612	0219	Valve body		X	
58613	0220	Tank valve pressure spring		X	
58614	0221	O-ring nbr 6.02x 2.62		X	
58830	0225	Safetyring		X	
58829	0226	Sieve		X	
59456	0227	Inner distributing collar		X	
64049	0227	O-ring 100pcs (sep. 59456)		X	
59455	0228	Valve cap		X	
59091	0230	Carrying handle for water cont		X	
62319	0231	Bracket X90			
60353	0232	Lid with extension		X	

(3) Front cover

S13297_03



Switch

Edition: 06/08/08

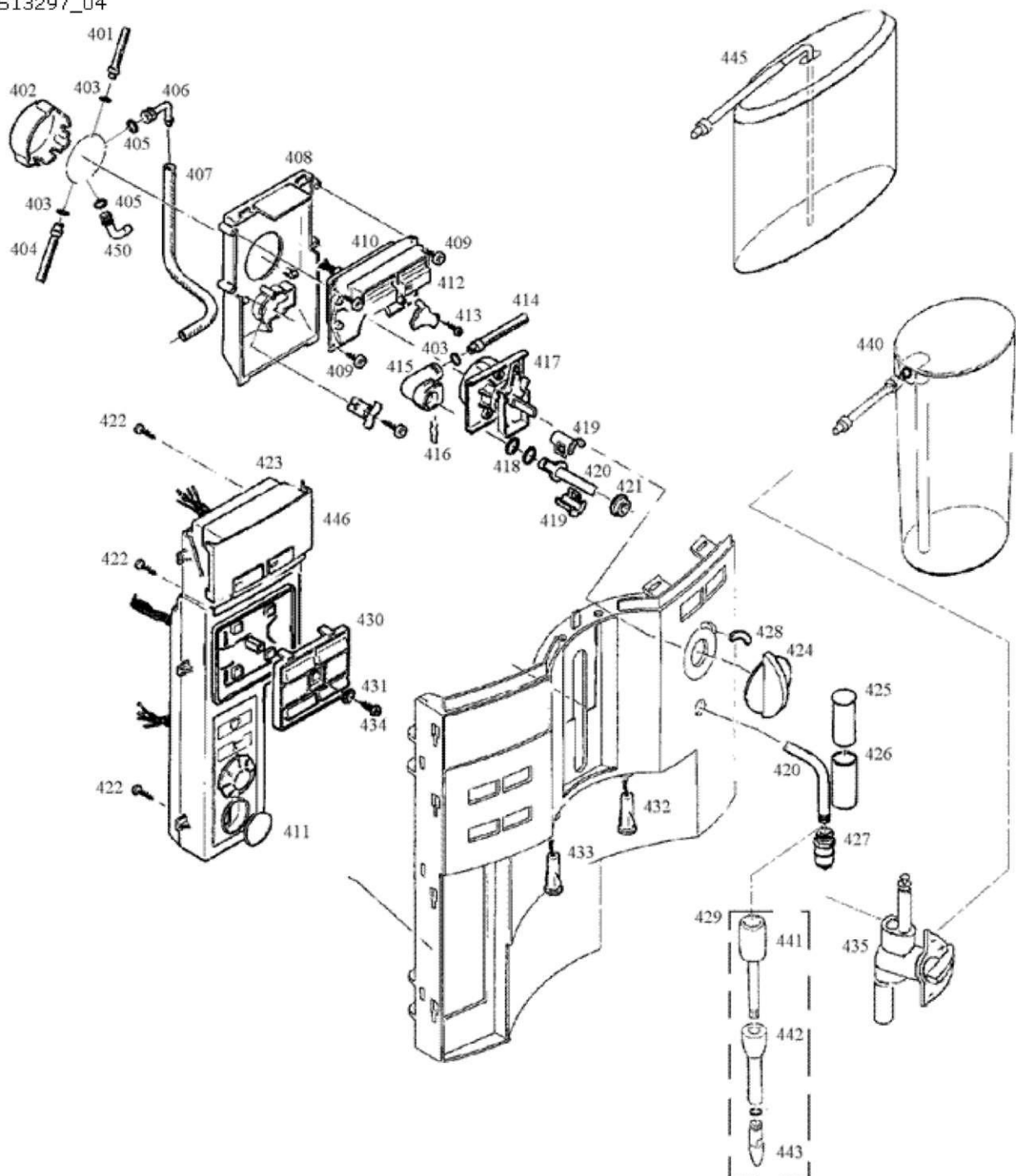
Art.-Nr.	Pos	Designation	Variation	Stock	SC
62549	0301	Tie-rap		X	
62159	0302	Hose support		X	
64977	0303	Guide		X	
64965	0304	Guide front		X	
58625	0305	Clamp		X	
64984	0306	Magnet 490 D06x6mm		X	
64975	0307	Plate front inox		X	
64054	0308	O-ring 100pcs (sep. 94389)		X	
64980	0309	Injection piece		X	
64046	0310	O-ring 100pcs (sep. 58620)		X	
65745	0311	Outlet gate front XS90		X	
66056	0312	Emblem Jura V2 42.5 mm		X	
64979	0313	Handle		X	
62145	0314	Hinged cover black		X	
64996	0315	Dispenser silver		X	
62202	0316	Operating instructions		X	
65690	0317	Front cover black		X	
59737	0318	Cover black		X	
62413	0319	Fixing plate brown		X	
64973	0320	Water tube		X	
64990	0322	Sleeve		X	
64984	0324	Magnet 490 D06x6mm		X	
64989	0325	Screw KST/PT 3.0x 8		X	
65270	0329	Outlet gate front platinum		X	

Switch

Edition: 06/08/08

(4) Control elements

S13297_04



Switch

Edition: 06/08/08

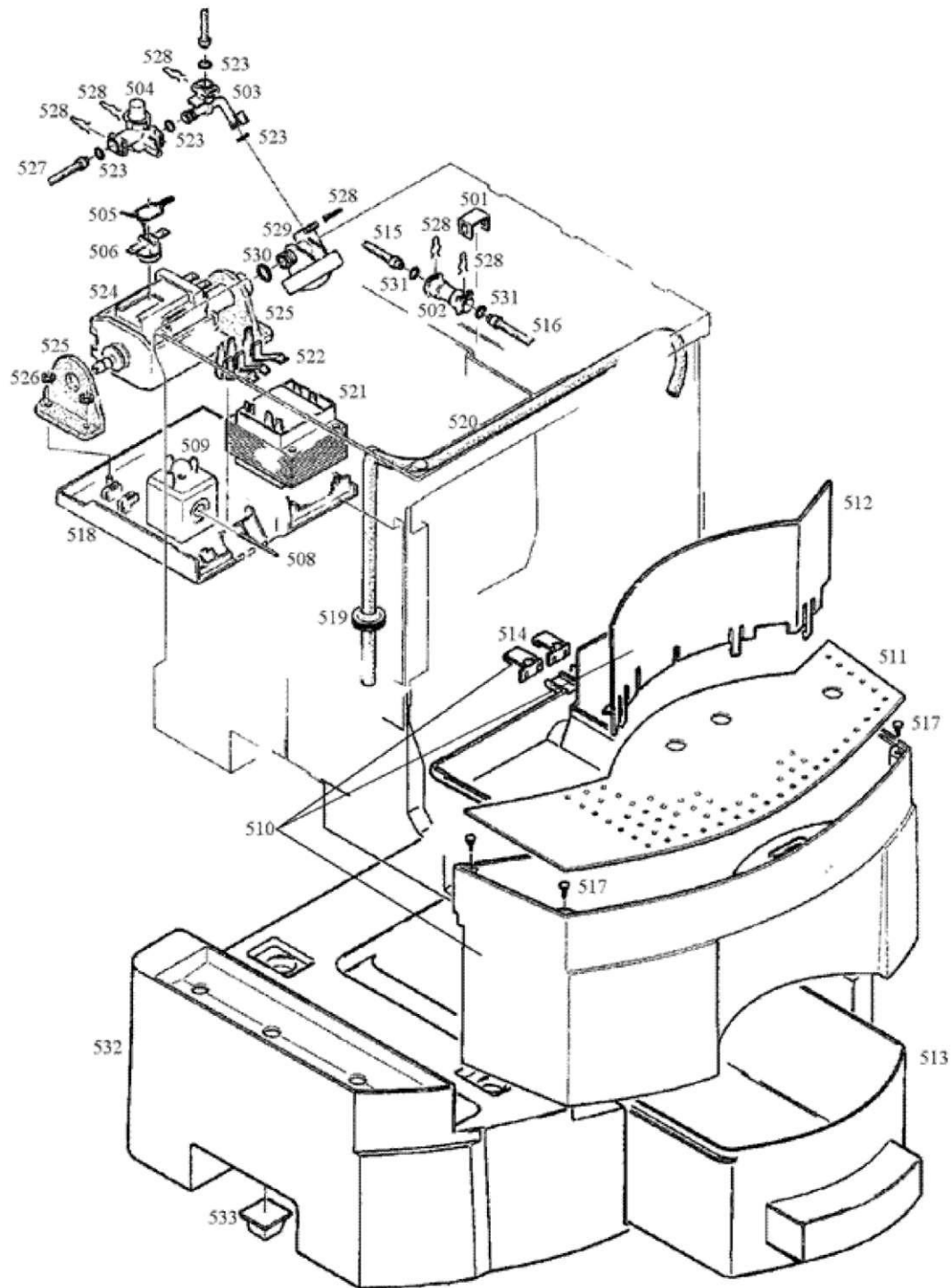
Art.-Nr.	Pos	Designation	Variation	Stock	SC
64328	0401	Hose FEP 4x2.5x190mm		X	
58815	0402	Retaining cover		X	
64048	0403	O-ring 100pcs (sep. 58775)		X	
64326	0404	Hose FEP 4x2.5x490mm		X	
64047	0405	O-ring 100pcs (sep. 58621)		X	
62179	0406	Hot water angle pipe		X	
63531	0407	Silicone hose 3x1.5x140mm		X	
64981	0408	Ceramic valve cover		X	
62942	0409	Fillister head screw 3.5x12		X	
65904	0410	Steam pcb ass. V3 RoHS		X	
66969	0411	Connectivity cover		X	
65582	0412	Push button rake steam		X	
65583	0413	Screw KST/PT 2.5x6 vz-bl		X	
65331	0414	Hose FEP 4x2.5x340mm		X	
58817	0415	Discharge pipe connection		X	
58625	0416	Clamp		X	
61874	0417	Ceramic valve USA assembled		X	
64046	0418	O-ring 100pcs (sep. 58620)		X	
58556	0419	Spacer		X	
65002	0420	Discharge pipe		X	
65012	0421	Spacer		X	
58608	0422	Pt-screw nom dia 25 x 10		X	
66310	0423	Electronic box SW07 cpl		X	
65236	0423	Logic pcb S9 avant REP		X	
63384	0424	Tum knob ceramic valve V2		X	
63976	0425	Cap black		X	
63973	0426	Sleeve Ms		X	
63354	0427	Steam nozzle black		X	
66331	0428	Front cover lens transparent		X	
65057	0429	Discharge pipe assembled		X	
65580	0430	Push button rake coffee		X	
65581	0431	Washer 9x2.7x0.5 Inox		X	
63287	0432	Lamp blue		X	
63232	0433	Lamp grey		X	
63320	0434	Screw 25x6		X	
67693	0435	Profi-Auto-Cappu-Düse kurz	go s67693	X	
62104	0440	Milk container cpl.	go s62104	X	
65641	0441	Pipe with handle		X	
65642	0442	Discharge pipe shield		X	
65643	0443	Jet body assembled		X	
63321	0445	Deluxe milk container	go s63321	X	
68490	0446	Display S9AVG not RoHS			
68491	0446	Display S9AVG RoHS			
58816	0450	Joint part		X	

Switch

Edition: 06/08/08

(5) Support plate and tray

S13297_05



Switch

Edition: 06/08/08

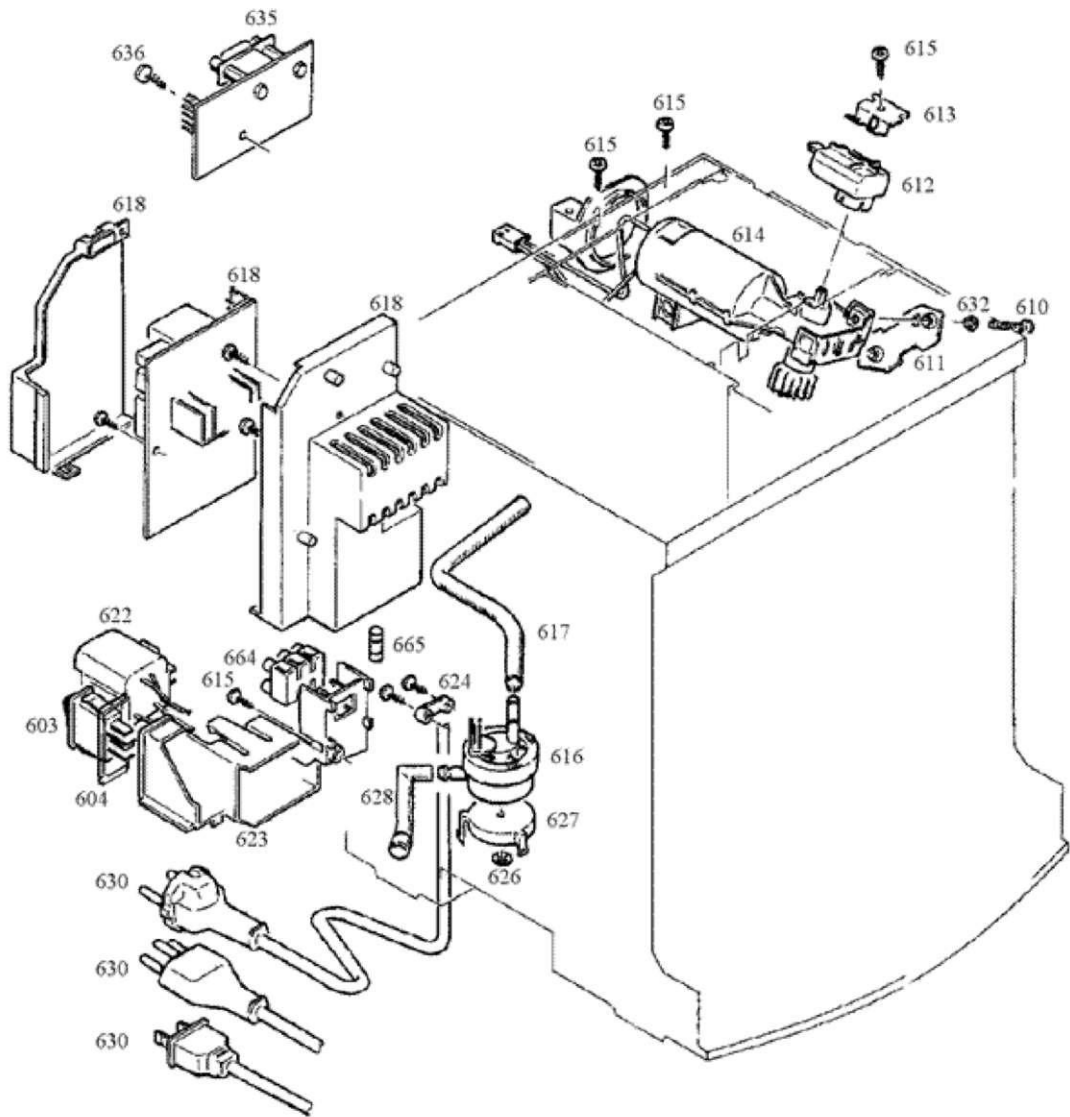
Art.-Nr.	Pos	Designation	Variation	Stock	SC
59120	0501	Support		X	
62180	0502	Flange black		X	
64335	0503	Distributor		X	
66289	0504	Dispenser valve thermoblock		X	
63289	0505	Clamp to thermostat 1NT		X	
63190	0506	Thermostat 115C/10A 1NT01L		X	
58776	0508	Anchor		X	
66767	0509	Magnet drainage valve IEC 230V		X	
65746	0510	Drain pan complete		X	
64972	0511	cup platform inox		X	
65484	0512	Front segment black		X	
59096	0513	Used ground container		X	
66291	0514	Contact metal sheet Inox		X	
64328	0515	Hose FEP 4x2.5x190mm		X	
64152	0516	Hose FEP 4x2.5x390mm		X	
65473	0517	Rubber buffer		X	
58588	0518	Pump carrier plate		X	
59233	0519	Sleeve		X	
59229	0520	Silicone hose 5x1.5x590mm		X	
62841	0521	Transformer 230V		X	
58635	0522	Detection spring		X	
68057	0523	O-ring 100pcs (sep. 63444)		X	
64876	0524	Pump 230V/50Hz/60W		X	
59465	0525	Pump carrier version 2		X	
58636	0526	Retaining ring starlock d=3		X	
65332	0527	Hose FEP 4x2.5x300mm		X	
58625	0528	Clamp		X	
59504	0529	Membrane controller		X	
64050	0530	O-ring 100pcs (sep. 58921)		X	
64048	0531	O-ring 100pcs (sep. 58775)		X	
62209	0532	Base black		X	
59093	0533	Elastic pad grey		X	

Switch

Edition: 06/08/08

(6) Printed power circuit board and drive

S13297_06



Switch

Edition: 06/08/08

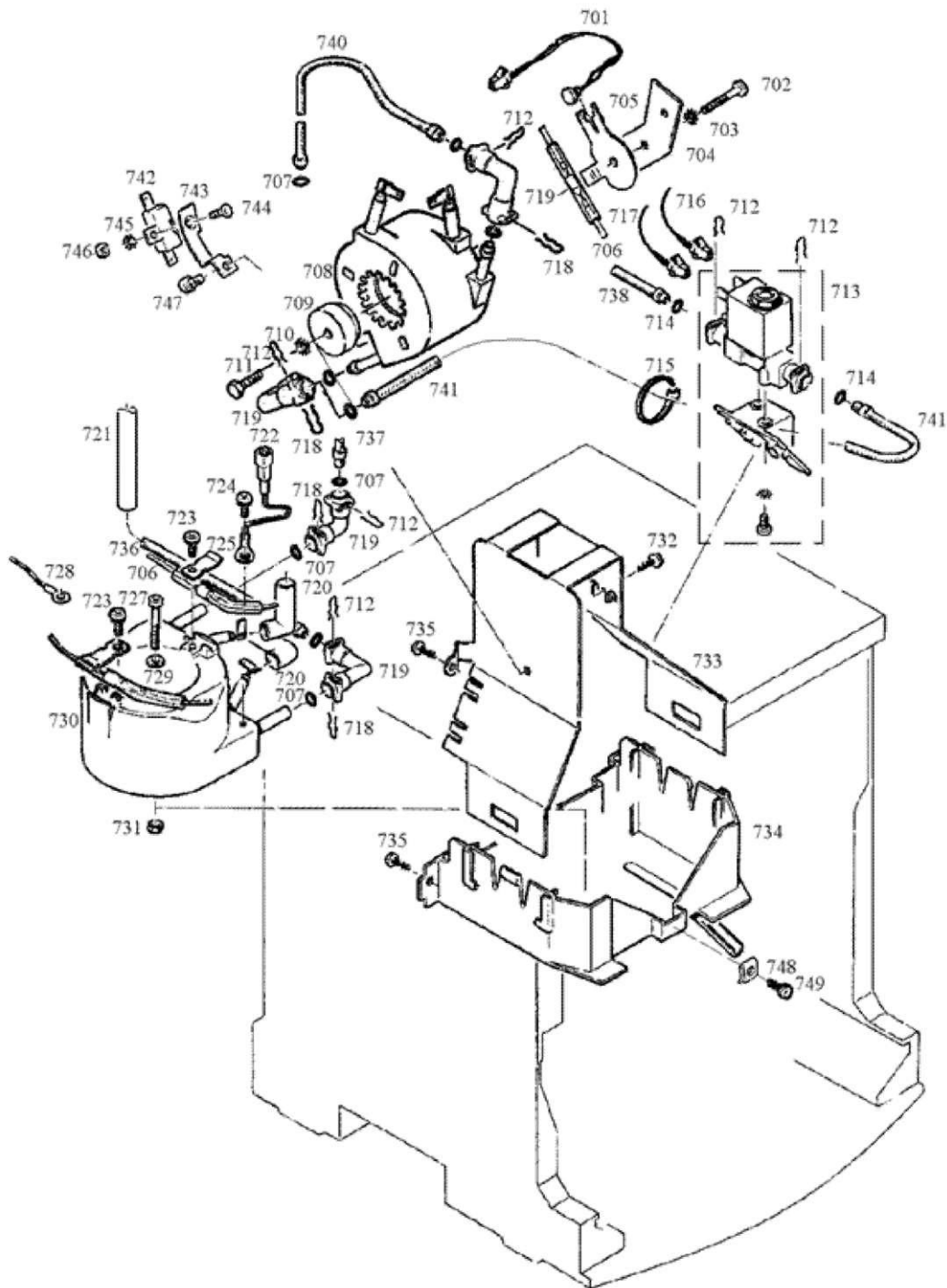
Art.-Nr.	Pos	Designation	Variation	Stock	SC
62047	0603	Main switch		X	
66290	0604	Main-switch frame		X	
65743	0610	Screw M5x12 vz-blau Li-K		X	
58605	0611	Clamp		X	
65870	0612	Encoder V2 RoHS		X	
59149	0613	Clamp to encoder		X	
65952	0614	Geared motor 6000 ass. RoHS		X	
62942	0615	Fillister head screw 3.5x12		X	
59391	0616	Flowmeter fhksc 12r 0-degree		X	
63327	0617	Silicone hose 5x2x105mm		X	
66904	0618	Leistungsprint V4 kpl. RoHS		X	
65015	0618	Power pcb		X	
65237	0618	Power pcb S9 Av. REP		X	
65013	0622	Interference eliminator		X	
64971	0623	Support filter black		X	
66760	0623	Sieve holder V2 IEC		X	
58656	0624	Cable retaining clip		X	
58636	0626	Retaining ring starlock d=3		X	
58628	0627	Flowmeter adapter		X	
58640	0628	Angled hose		X	
66198	0630	Incoming feeder sw RoHS		X	
65719	0632	Retaining M5 galvanized RoHS		X	
67397	0635	Collection pcb		X	
64989	0636	Screw KST/PT 3.0x 8		X	
66763	0664	Terminal 3/503 Si Ds GW		X	
66762	0665	Fuse 10A/250 V T		X	

Switch

Edition: 06/08/08

(7) Heater

S13297_07



Switch

Edition: 06/08/08

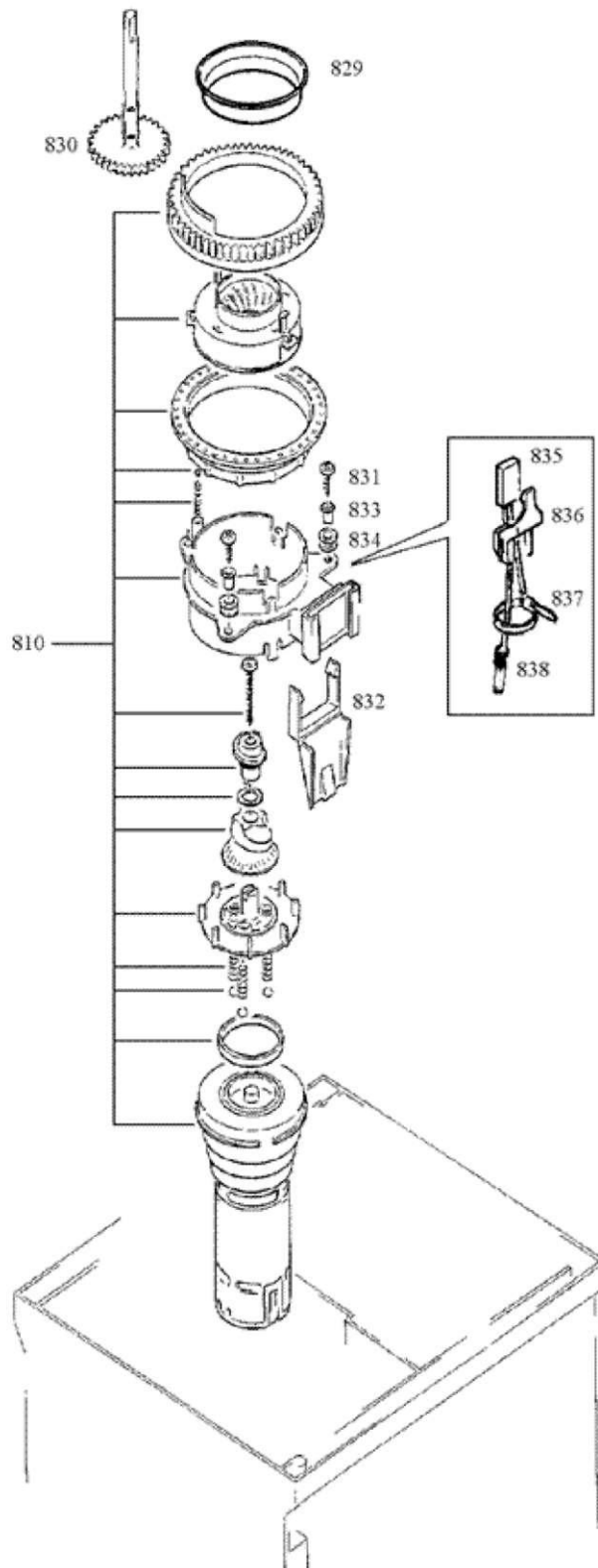
Art.-Nr.	Pos	Designation	Variation	Stock	SC
59177	0701	Omega sensor complete		X	
61881	0702	Screw M5x35		X	
59117	0703	Washer M5		X	
61880	0704	Spacer		X	
61879	0705	Clamp to thermoblock head		X	
65839	0706	Fused-cord EU 229/152C RoHS		X	
64048	0707	O-ring 100pcs (sep. 58775)		X	
66319	0708	T-Block 2000/L 230V/1200W		X	
63696	0709	Support aluminium		X	
59117	0710	Washer M5		X	
61882	0711	Screw M5x8		X	
58625	0712	Clamp		X	
65974	0713	Valve kit 230V RoHS		X	
68057	0714	O-ring 100pcs (sep. 63444)		X	
62549	0715	Tie-rop		X	
65286	0716	Braid black		X	
65285	0717	Braid blue		X	
64982	0718	Clamp D=5mm		X	
65705	0719	Connection L 90° V2		X	
64986	0720	Insulation		X	
65333	0721	Silicone hose 7x1.5x230mm		X	
65009	0722	Sensor thermoblock complete		X	
59941	0723	Fillister head screw M5x8		X	
62670	0724	Screw M4x8		X	
62671	0725	Fuse clamp TB2001		X	
65004	0727	Screw M4x20 Inox		X	
65010	0728	Connecting EU 120mm 0.75		X	
59956	0729	Washer 4.3 x 12 x 1.5mm		X	
64983	0730	Thermoblock 2001 230V/1200W		X	
64966	0731	Nut M4 6-Kt.		X	
64988	0732	Screw 3.5x13.0		X	
64968	0733	Heating support		X	
67853	0734	Heating support		X	
62942	0735	Fillister head screw 3.5x12		X	
64326	0736	Hose FEP 4x2.5x490mm		X	
65332	0737	Hose FEP 4x2.5x300mm		X	
65331	0738	Hose FEP 4x2.5x340mm		X	
66340	0740	Hose FEP 4x2.5x320mm		X	
64107	0741	Hose FEP 4x2.5x260mm		X	
66149	0742	Temp.-protection		X	
66150	0743	Clamp STB TB2000		X	
66147	0744	Screw KST/PT 3x6		X	
63254	0745	Washer M3		X	
66146	0746	Nut M3 0.8D		X	
66148	0747	Screw M5x8mm		X	
66369	0748	Spring-nut C		X	
66382	0749			X	

Switch

Edition: 06/08/08

(8) broyeur

S13297_08



S13297 Impresa XS90 black EU 230V/50Hz [SCHUKO] 650 B1

ELEKTROAPPARATE AG |

Switch

Edition: 06/08/08

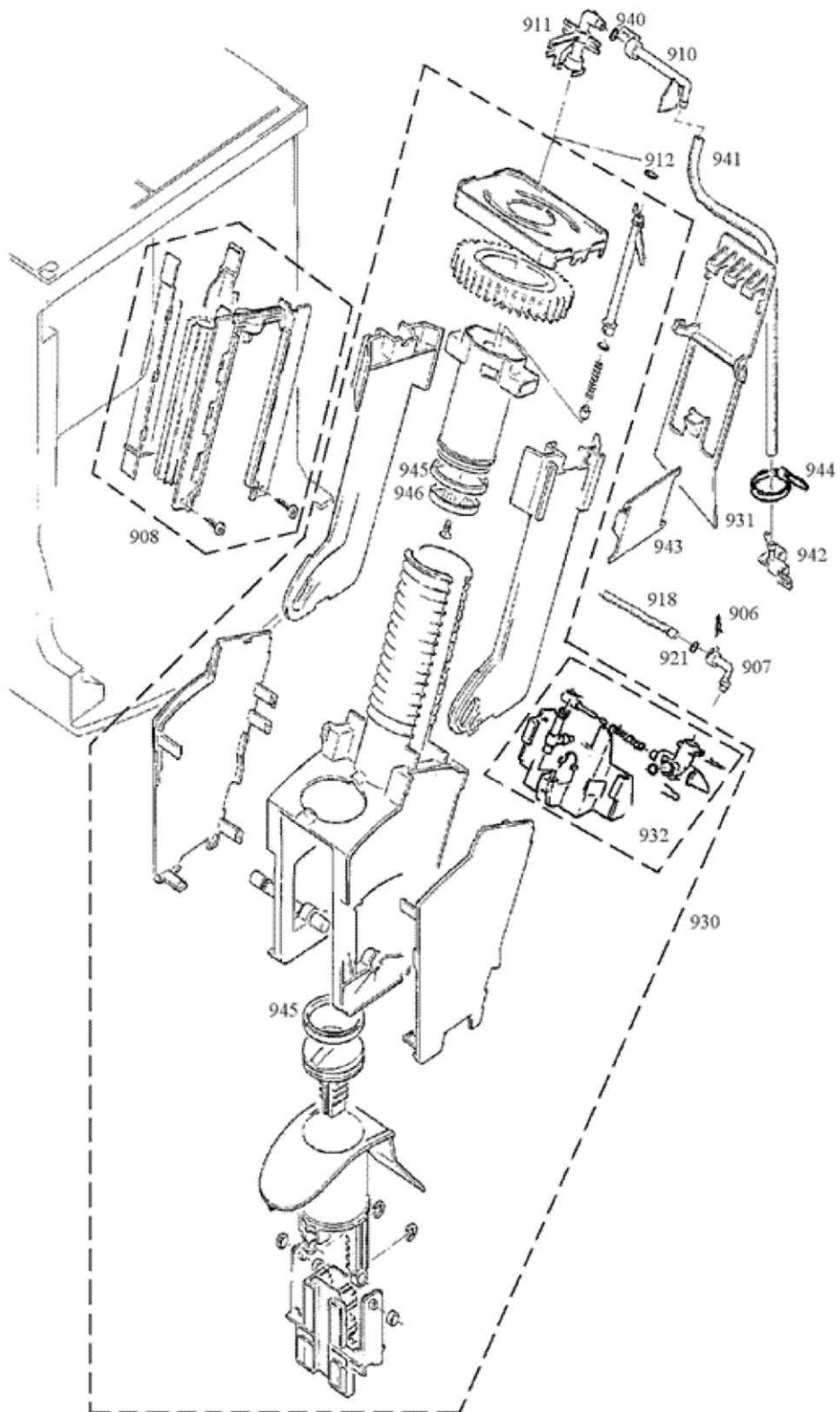
Art.-Nr.	Pos	Designation	Variation	Stock	SC
67192	0810	Grinder unit Domel 230V V2		X	
59507	0829	Collar		X	
58581	0830	Spindle grinding adjustment		X	
62079	0831	Screw kst/PT		X	
61962	0832	Funnel plate ripp.		X	
59468	0833	Tubular rivet 4x0.4x10 ms blan		X	
59469	0834	Rubber buffer		X	
65714	0835	Temp.-feeler Johnson motor		X	
65713	0835	Temp.-feeler Domel motor		X	
65715	0836	Temp.-feeler support		X	
62549	0837	Tie-rap		X	
65717	0838	Insulation		X	

Switch

Edition: 06/08/08

(9) Brew unit

S13297_09



Switch

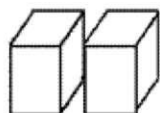
Edition: 06/08/08

Art.-Nr.	Pos	Designation	Variation	Stock	SC
58625	0906	Clamp		X	
64114	0907	Valve connection		X	
61767	0908	Guide assembled		X	
61771	0908	Guide assembled	REP	X	
62157	0910	Outlet brown		X	
62021	0911	Discharge channel brown		X	
92541	0912	O-ring nbr 6.5x1.5		X	
64152	0918	Hose FEP 4x2.5x390mm		X	
64054	0921	O-ring 100pcs (sep. 94389)		X	
62100	0930	Brew unit universal		X	
60383	0931	Used ground blade		X	
63577	0932	Drainage valve V2		X	
64052	0940	O-ring 100pcs (sep. 94390)		X	
63531	0941	Silicone hose 3x1.5x140mm		X	
62159	0942	Hose support		X	
62160	0943	Protection lid black		X	
62549	0944	Tie-rop		X	
67314	0945	O-ring 100pcs (sep. 67313)		X	
67315	0945	O-ring brew unit		X	
66756	0946	Sieve V3		X	

(10) Accessories

☞ S13297_10

1001



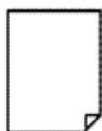
Verpackung/
Packing

1010



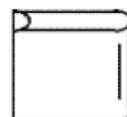
Betriebsmittel/
Operational funds

1020



Hinweise/
References

1040



Bedienungsanleitung/
Operating instructions

S13297 Impresa XS90 black EU 230V/50Hz [SCHUKO] 650 B1

ELEKTROAPPARATE AG |

Switch

Edition: 06/08/08

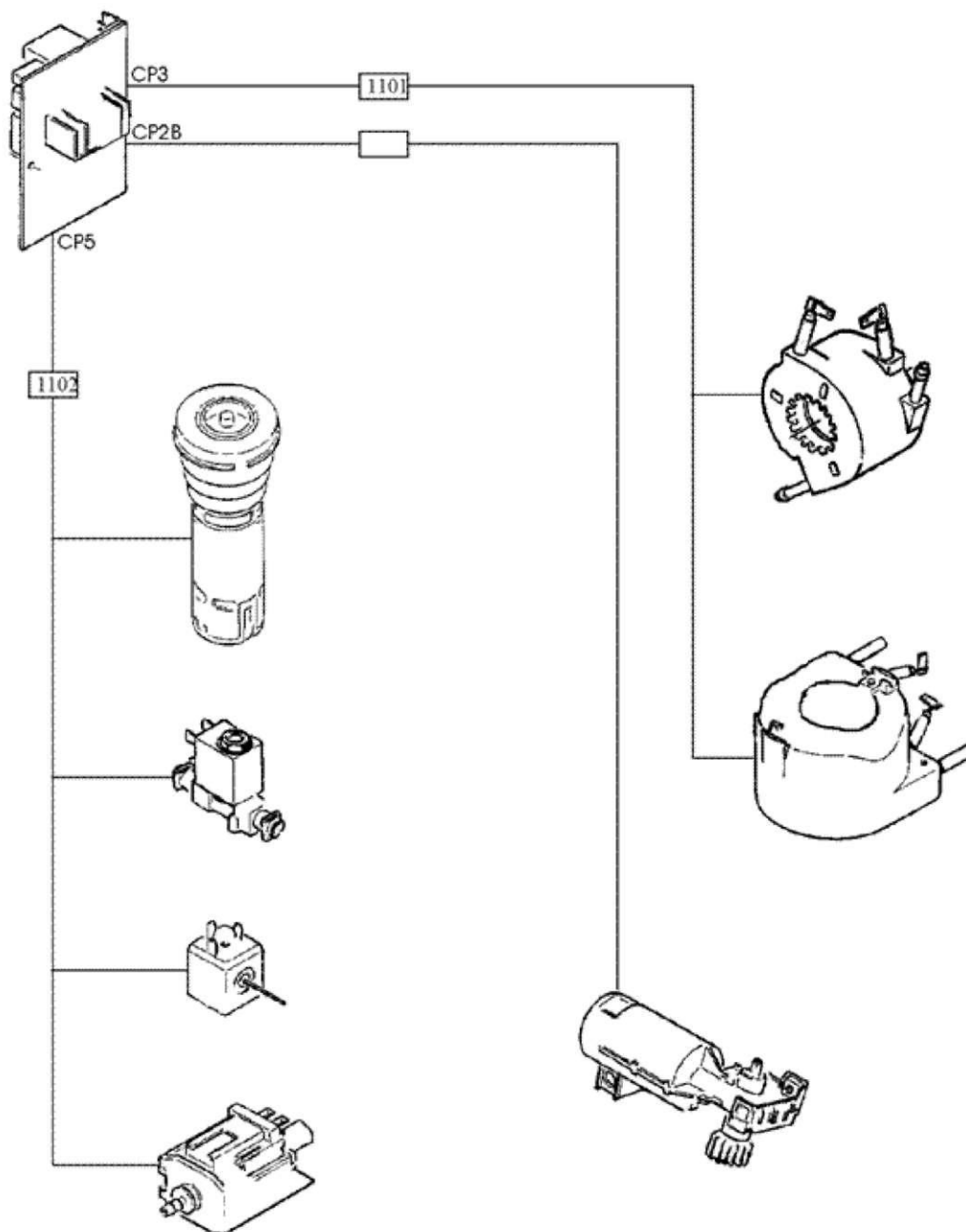
Art.-Nr.	Pos	Designation	Variation	Stock	SC
65748	1001	Styropor 5-stage		X	
65318	1001	Picture carton line-X		X	
59633	1010	Cleaning tablets		X	
65606	1010	Quantimeter black		X	
63599	1020	Guarantee Com. 2-J IN		X	
58437	1020	Sticker bean container g/f/i/e		X	
58874	1020	Warning sticker red/black		X	
63597	1020	Guarantee Com. 2-J EU		X	
65180	1020	Instruction sheet clean II		X	
66496	1020	Jura Contacts Sticker		X	
67685	1020	Instr. sheet Milk tank		X	
62132	1020	Grinder steps self adhesive		X	
67306	1040	Instructions XS90 8-lang.		X	
65592	1040	Quick instructions XS 90/95 NL		X	
65593	1040	Quick instructions XS 90/95 D		X	
65594	1040	Quick instructions XS 90/95 E		X	

Switch

Edition: 06/08/08

(11) Electrical contacts

S13297_11



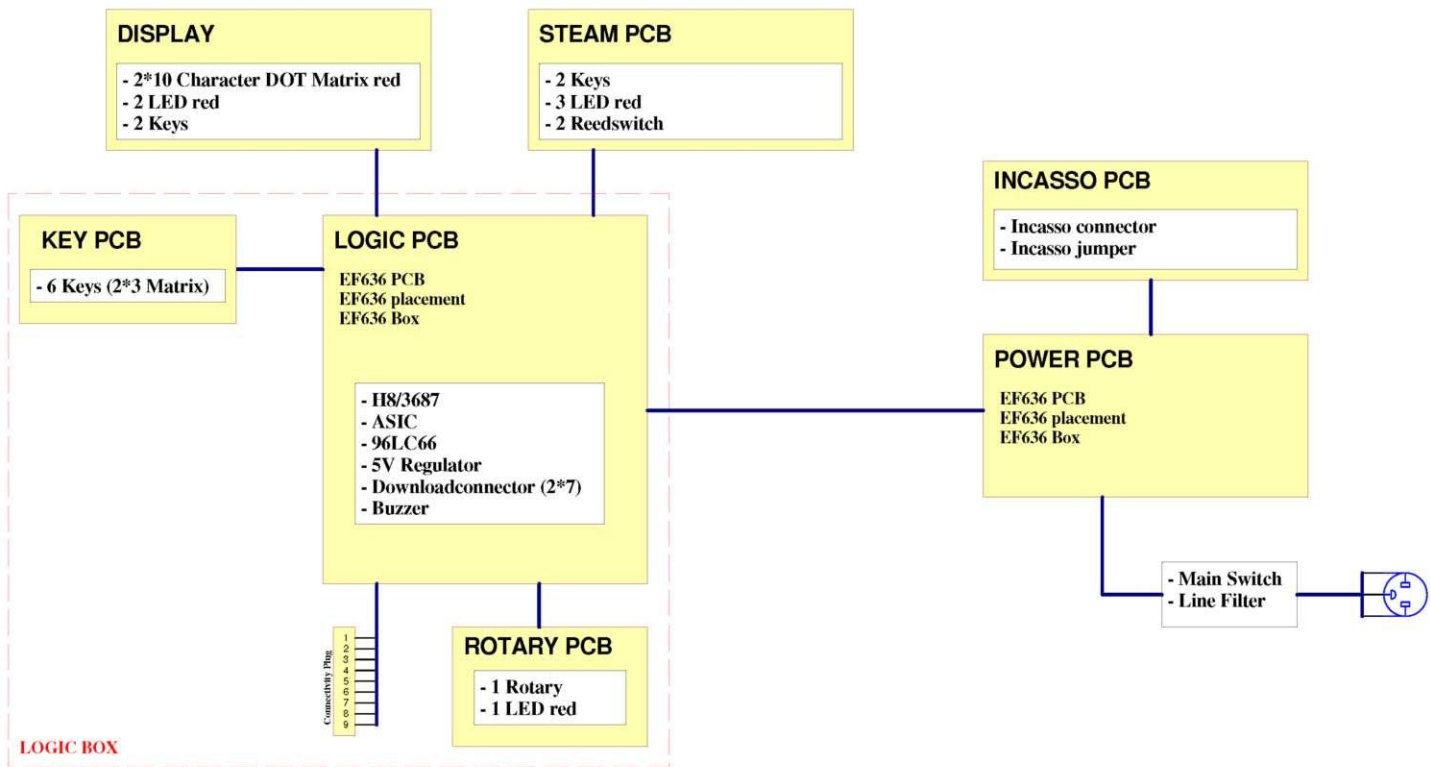
S13297 Impresa XS90 black EU 230V/50Hz [SCHUKO] 650 B1
Switch

Edition: 06/08/08

Art.-Nr.	Pos	Designation	Variation	Stock	SC
66152	1101	Jumper cable 3col.		X	
67139	1102	Connecting S9 AVG		X	

(1) Main diagram

X:\Projekte\Behebung Hardware 636 THETA RoHS EF636\Aktuelle Daten\EF636 Bloc & cable\061016 delete part details_ add pcb data\061016 EF636_637 Bloc & Cable.ddb - Documents\blocdiagram:EF637 BL_0001 V01

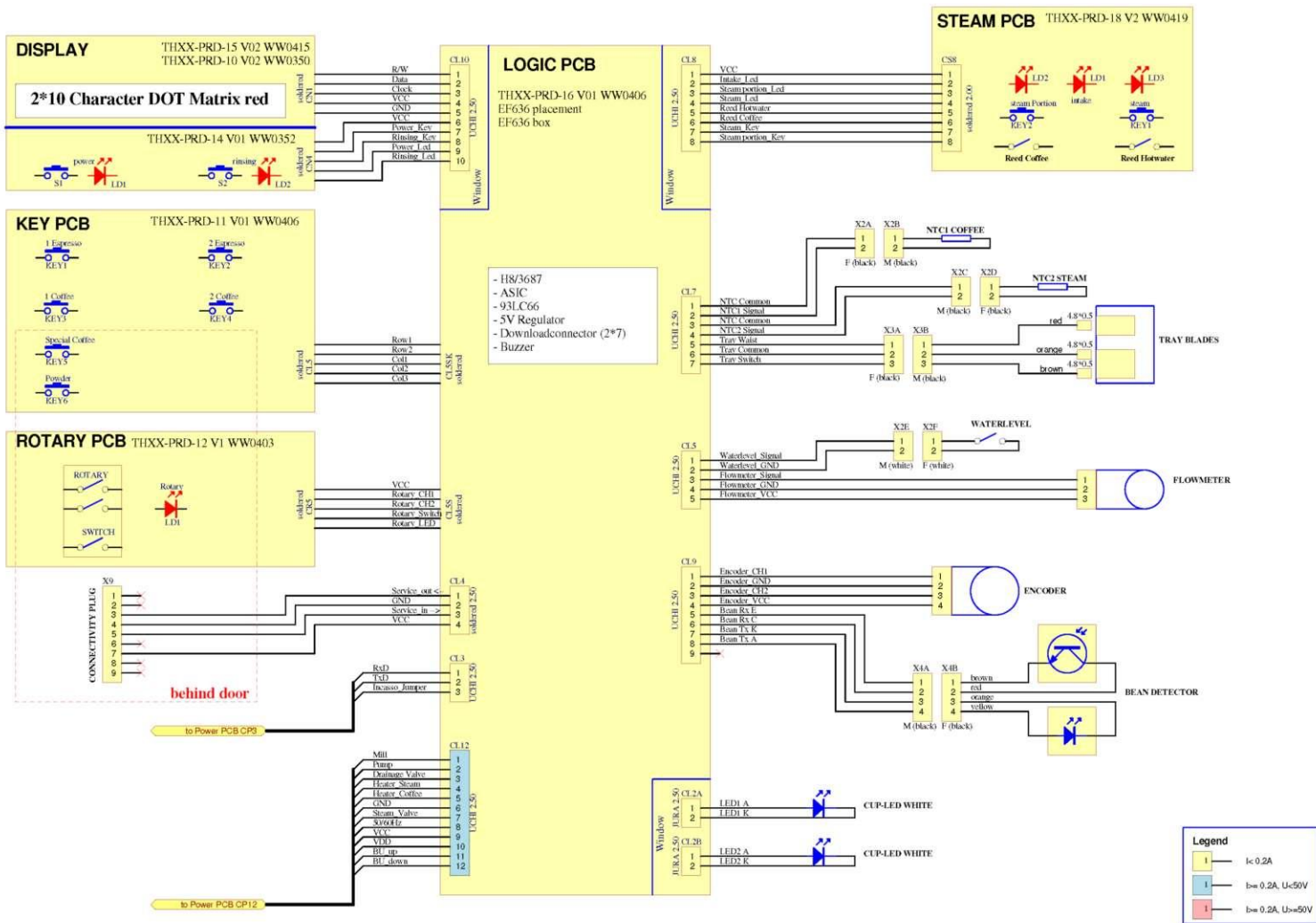


change notice	date	drawn	checked	approved	size	title	revision
3 correct parts on logic pcb, change file	061016	Hollenstein Thomas			A3	EF637 Blocdiagram Overview	061016
2 small part-corrections	060915	Hollenstein Thomas					
1 new template	060509	Hollenstein Thomas					



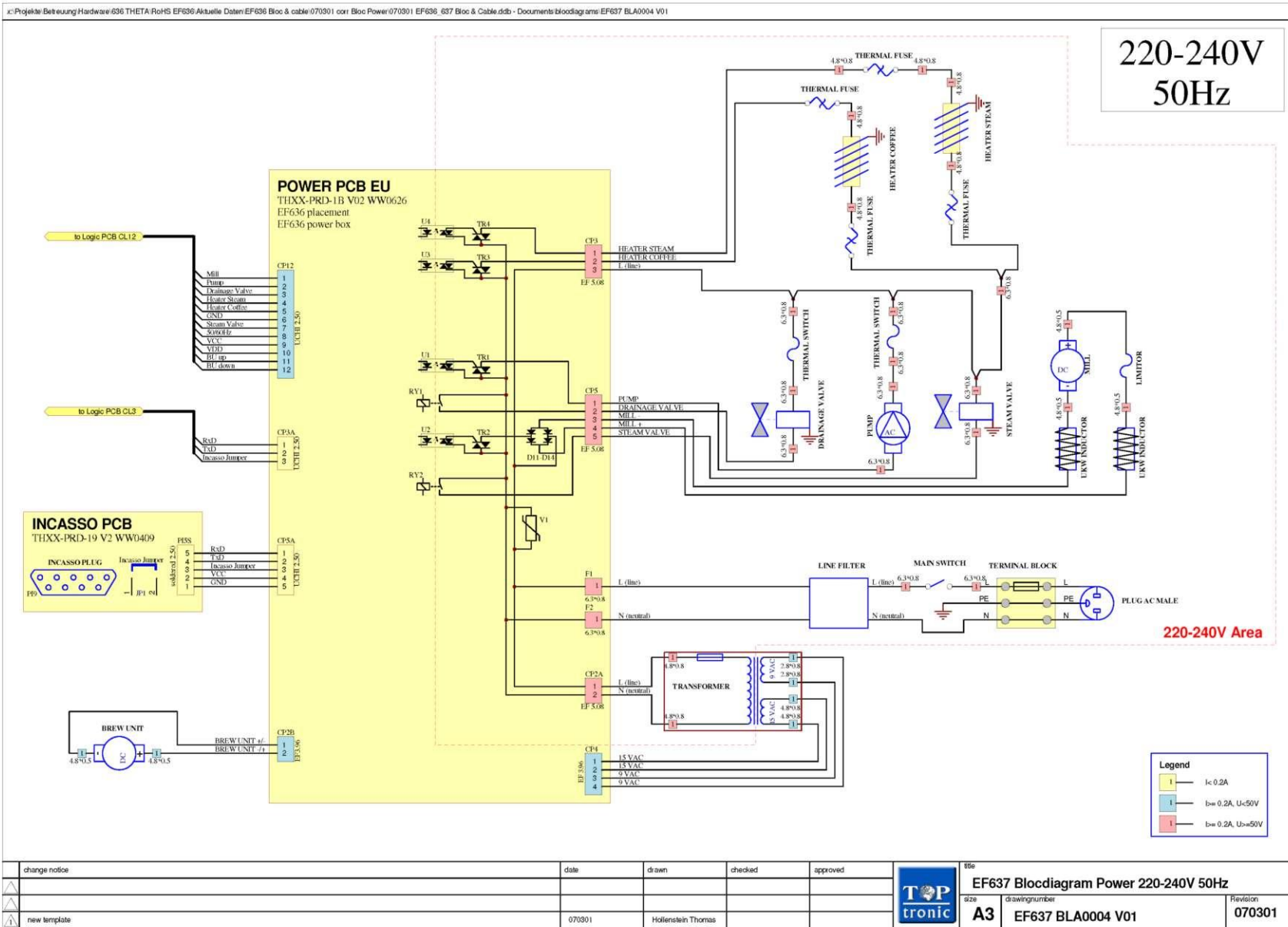
size **A3** drawingnumber **EF637 BL_0001 V01** revision **061016**

X:\Projekte\Bebauung\Hardware\636 THETA RoHS EF636\Aktuelle Daten\EF636 Bloc & cable\061016 delete part details, add pcb data\061016 EF636_637 Bloc & Cable.ddb - Documents\blooddiag arms\EF636 BL_0002 V01



change notice	date	drawn	checked	approved	size	title	revision
3 delete part-details, correct PCB-details	061016	Hollenstein Thomas			A3	EF636/637 Blocdiagram Logic	061016
2 add PCB-details, add net-labels	060915	Hollenstein Thomas			A3	EF636 BL_0002 V01	
1 new template	060509	Hollenstein Thomas			A3	EF636 BL_0002 V01	

(3) Scheme power



change notice	date	drawn	checked	approved		size	revision
						A3	070301
new template	070301	Hollenstein Thomas				EF637 Bloctogram Power 220-240V 50Hz	EF637A_BLA0004 V01

Switch

Edition: 06/08/08

(4) Fluid System

