

# User / Service manual



## MiniCafe<sup>TM</sup> Preliminary edition

English edition.

We are pleased that you have chosen a Scanomat Coffee Brewer.

Should you have any questions regarding the coffee brewer and the operation of it please do not hesitate to contact us.

We are convinced that you will be pleased with your choice!

scanomat®  
*Pure Coffee*

Re-ordering No: 4300006  
Version: 2

## **I m p o r t a n t**

**Warning:**

Please be aware of the danger of scalding (in the dispensing area) when dispensing the various hot drinks.

**Warning:**

Before cleaning, servicing etc. that require the opening of the front door, the switch situated on the back of the coffee brewer must be switched off. The brewer has been switched off when the display light turns off and the blower stops.

**Note:**

Please be aware that the switch only disconnects control circuit, **not** the power supply.

# Contents

Operation of the SCANOMAT Coffee .....	1
Technical specifications .....	1
General Drawing .....	2
Installation .....	3
Water Connection .....	4
The display of the coffee brewer .....	5
The keyboard of the coffee brewer .....	6
The Multi Function Key .....	6
Initial start up of the coffee brewer .....	11
Normal use .....	12
Brewing cups .....	12
PRESELECTIONS .....	12
Brewing carafes .....	12
Strong .....	12
Mild .....	12
Setting / programming of the coffee brewer .....	13
On/Off .....	13
Adjusting the individual selections .....	13
Cup size .....	13
Strength .....	13
Carafe sizes .....	13
Maintenance .....	14
Daily Maintenance .....	14
Preventive Maintenance .....	15
Maintenance exhaustsystem .....	15
Trouble Shooting .....	16
Diagram MiniCafe .....	17
Part list .....	18

## Operation of the SCANOMAT Coffee Brewer

The Scanomat coffee and coffee speciality brewers are high technology brewers which by means of a micro processor controlled brew process dispense various first class quality coffee drinks.

Water is heated in the thermostatically controlled hot water tank with automatic water inlet. The water tank has built-in overheater.

By means of an ingredient throw device the various instant products are led from the canisters to a brew chamber and here water is added. If necessary, the ingredients could be stirred mechanically in the brew chamber before the drink in question is led to the outlet spout. It is possible to choose between cup or jug dispensing.

### Technical specifications:

#### Dimensions

Height: 550 mm      Width: 310 mm      Depth: 390 mm  
Weight: 22 Kg

#### Brewing capacity

80 cups per hour (150 ml cups, water supply at ambient temperature)

#### Brewing temperature

70 - 80°C (158 - 176°F) (cup size 150 ml, inlet water temperature 20°C (68°F), time between cups min. 45 sec.)

#### Product capacity 3 canisters

Coffee: 510 grams ≈ 280 cups (deviation max. 15%)  
Chocolate: 1000 grams ≈ 47 cups (deviation max. 5%)  
Milk: 500 grams ≈ 42 cups (deviation max. 6%)

#### Product capacity 4 canisters

Coffee: 380 grams ≈ 210 cups (deviation max. 15%)  
Espresso: 240 grams ≈ 135 cups (deviation max. 15%)  
Chocolate: 820 grams ≈ 40 cups (deviation max. 5%)  
Milk: 1250 grams ≈ 80 cups (deviation max. 6%)

#### Cup size

Minimum 65 to maximum 180 ml, 130 – 180 ml for mixed drinks

#### Electrical connection

230 VAC with earth, 1800 Watt, 8 Amp.  
Optional: 115 VAC with earth, 1600 Watt, 14 Amp.

#### Water connection

2 - 6 Kp/cm<sup>2</sup>, flow: 1.8 litres per minute.  
Water temperature: 5 - 20°C.

#### Water reservoir

Capacity: 5 litres (ambient temperature)

#### Environment

Temperature 10 - 40°C. Humidity max. 90% relative

#### Shelves/transportation

Temperature: min. 0°C.

#### Heating time from off to ready

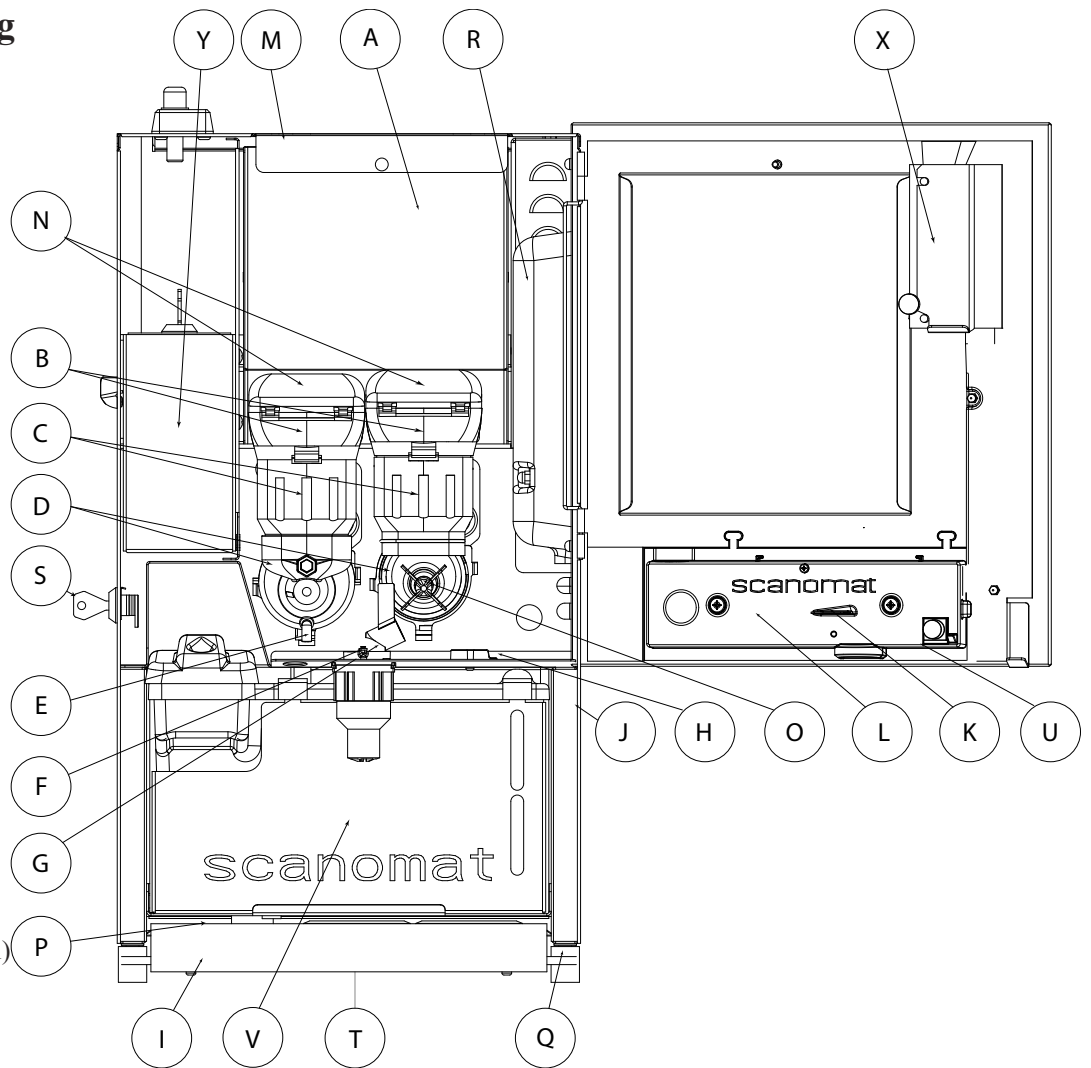
120 seconds.

#### Heating system

2 cup aluminium hybrid flow/tank heater with extreme low standby consumption.

# General Drawing

- A Ingredient canister
- B Ingredient funnel
- C Mixer bowl
- D Whipper house
- E Outlet hose
- F Outlet nozzle espresso
- G Outlet nozzle
- H Whipper tray
- I Drip tray
- J Main switch
- K Quality Key (optional)
- L Cover
- M Canister lid
- N Mixer lid
- O Whipper blade
- P Drip mesh
- Q Levelling legs
- R Light (optional)
- S Door lock
- T Mesh
- U Programmer plug
- V Water reservoir
- X Coin validator (optional)
- Y Coin box (optional)



## Installation

Service and repair is only to be carried out by service engineers educated by Scanomat.

The coffee brewer is to be secured additionally in accordance with regulations.

The coffee brewer must be earth connected (yellow/green conductor).

**Note:** If the supply cable (power cord) has been damaged please note that only a maintenance engineer recommended by the manufacturer is to renew it as special tools are required.

Earth conductor: yellow/green

Neutral conductor: blue

Phase: brown

**Note:** Place the coffee brewer on a stable table, adjust the levelling feet until the brewer is level from front to back and side to side. Be certain all four levelling feet are in contact with the table to prevent rocking of the brewer. If there is a danger of the brewer falling down from the table it must be bolted down to the table top (unscrew the levelling feet and fasten by screwing through the table top).

**Note:** The coffee brewer require ventilation. Therefore there must be a minimum of 50 mm from the back side of the brewer to the wall. The grating must be inspected frequently and vacuum-cleaned. If the installation site/environment is especially dusty there must be vacuum-cleaned each month.

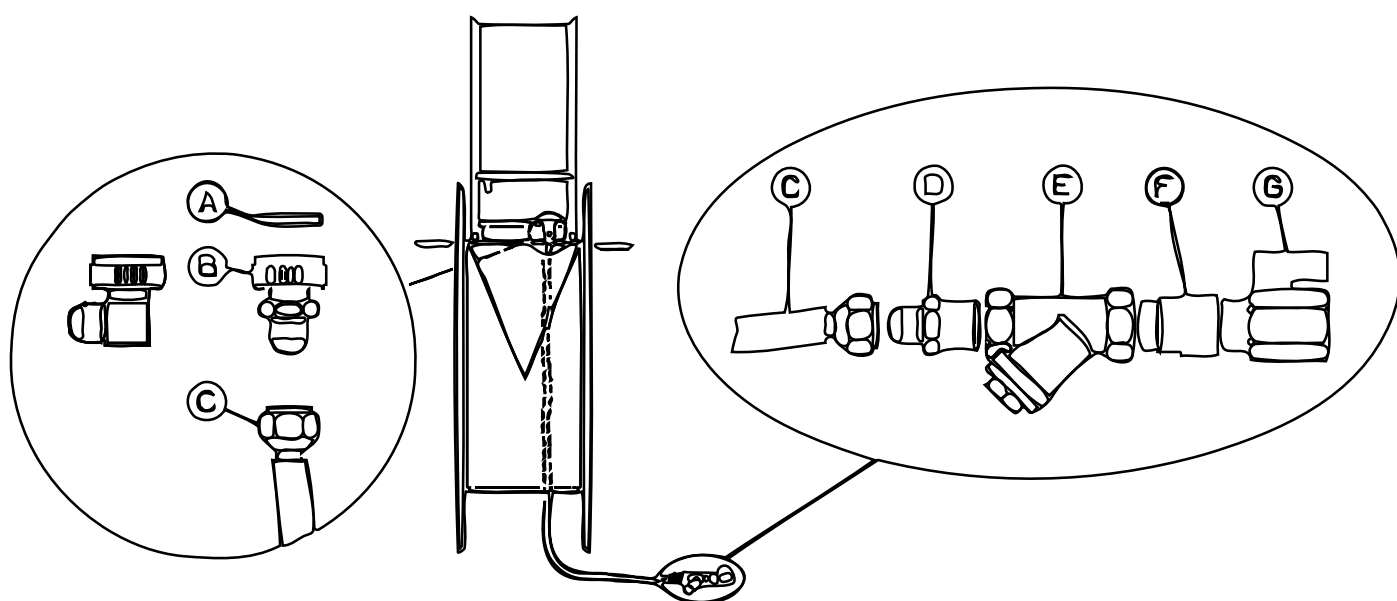
**Note:** Before connecting the coffee brewer draw off some buckets of water by means of the hose (to clean the pipes and to avoid a disagreeable taste). This procedure is also recommended when the brewer has not been operating for some time.

**Note:** We recommend that the brewer is switched on permanently due to the ventilation system among others.

## Water Connection

When the water supply is being established please make sure that the coffee brewer is not situated on the rear end of the water supply system to ensure continuous supply of fresh water (see illustration below).

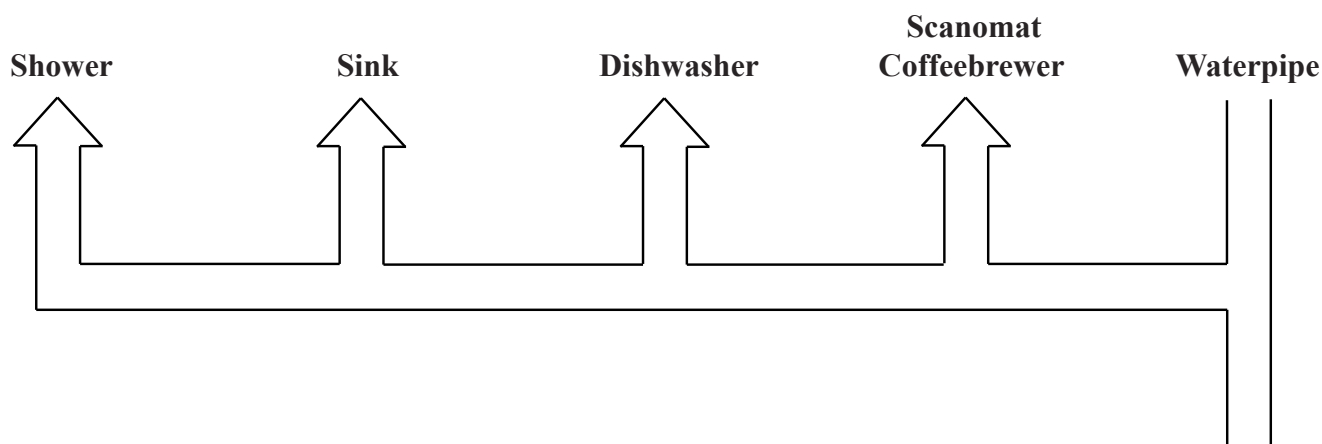
1. Connect the coffee brewer to the cold water line which is equipped with an adjustable check valve (1/2" external screw thread G+F). Before connecting the brewer draw off some buckets of water to clean the pipes.  
If the water quality is not top-quality we recommend that a Scanomat water filter is mounted.
2. Fasten the hose nipple (C) with screws to the connecting nipple (B) (available in angle and straight version).
3. The connecting nipple is to be screwed on to the valve at the bottom of the coffee brewer.
4. Dirt filter (E) and nipple (D) are to be mounted.
5. The flange of the hose (C) is to be mounted on the nipples (D) and (B).
6. Turn on the water and make sure that all joints and connections are tight.



### Note

If the water has a disagreeable taste when heated we recommend that the heated water is drawn off the brewer and let the brewer take in water anew.

After holidays or weekends when the brewer has not been in operation for some time the water will lose on quality therefore we recommend activating the “**clean programme**”, perhaps a couple of times, in order to get fresh water. In special cases it could be necessary to empty the water tank completely by means of the drain hose and then let the brewer take in fresh water. This operation could be repeated if necessary.



## Water reservoir

The Scanomat MiniCafé coffee brewer is equipped with its own water reservoir, and is factory set to take water from this reservoir. If the coffee brewer earlier have been connected to permanent water supply you have to turn the valve at the back of the machine to the position “Water reservoir”. Use a screwdriver to turn the valve. Remember also in “SETTING MODE” to set “WATER TANK” in position “ON”.

## The display of the coffee brewer




Explanation of the individual symbols in the display.


<b>89° scanomat</b>	Shows that the coffee brewer is in normal operating status.
<b>OFF</b>	Shows that the coffee brewer has been switched off either by means of the keyboard or by one the programmable timers. No drinks can be brewed.
<b>CUP</b>	A cup is flashing when a drink is being brewed. Also used to indicate the size of the cup during adjusting this.
<b>STRONG</b>	Shows that a strong drink has been selected.
<b>MILD</b>	Shows that a light (mild) drink has been selected.
<b>INFORMATION FIELD</b>	Used to display time and functions, which do not have fixed symbols.
<b>THERMO METER</b>	Will be flashing if the temperature in the hot water tank is too low. No drinks can be selected in this situation.
<b>MAGNETIC CARD</b>	Used during reading magnetic keys: - QUALITY KEY , CREDIT KEY or SERVICE KEY (optional).
<b>TEA SPOON</b>	Will be flashing if “strong” or “mild” has been selected.
<b>NOT ACTIVE !</b>	Will be shown if an disabled selection or function have been selected.
<b>FILL WATER</b>	Will be active if the water tank is not completely full. In this situation, pressing a selection key will cause the coffee brewer to take in water thereby filling the tank completely before starting the brew. If the tank can not be filled within 5 seconds, the brew will not be made.
<b>OVER LOAD</b>	Will be shown if one of the whippers or dosing motors are blocked.



## The keyboard of the coffee brewer

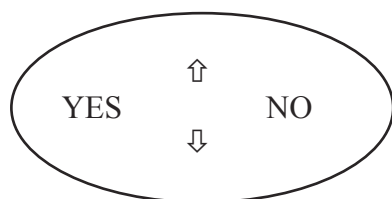
Explanation of the individual keys:

 Selection key. Pressing this when the coffee brewer is in normal operating state will cause this to make a brew.

 Selection key. Pressing this key when the coffee brewer is in “coin mechanism mode” the display will show the price for the cappuccino drink.

 Will activate the pre-selection STRONG. This will make the following selection stronger than standard.

 Will activate the pre-selection LIGHT (mild) . This will cause the following drink to be milder than standard.



**MULTIFUNCTION KEY:** Various functions are built into this key allowing you to step up and down selecting various settings and functions by means of arrows (“↑“ and “↓“). In the same way it is possible to accept, or not accept functions and settings by pressing “YES” for “accept”, and “NO” for “not accept”.

During programming the mentioned keys “↑“ and “↓“ have an automatic repeat function. This means that if you keep pressing one of these keys while adjusting a value it will change automatically.

Attention! There is time out on some functions thus it is necessary to key once again if you have spend more than 15 sec. without pressing any keys.

### The Multi Function Key:

**CARAFE:** Press “↑“ the display reads “CARAFE” meaning that after pressing “YES” (the display reads “Select drink”) and then after pressing one of the selection keys a carafe of coffee containing the number of cups indicated in the display can be served.

**WEIGHING:** By pressing “↓“ once “WEIGHING” will be indicated in the display. This means that you by pressing “YES” can enter WEIGHING MODE in which you by means of a scale can check weigh that the dosing are correct. The first texts indicated in the display are the first product ie. coffee and “DRY, which is flashing, plus the symbol for a spoon is shown. By pressing one of the selection keys you can now dose and check weigh the drinks in which ie. coffee is part of the ingredients.

**Press “↑“** The display reads second product ie. “ESPRESSO”. You can now by pressing one of the selection keys for drinks of which the espresso ingredient is one possibility dose an amount of ingredient, which can be check weighed.

**Press “↑“** The display reads third product “CHOCOLATE”. You can now by pressing one of the selection keys for drinks of which the chocolate ingredient is one possibility dose an amount of ingredient, which can be check weighed.

**Press “↑“** The display reads fourth product “MILK”. You can now by pressing one of the selection keys for drinks of which the milk ingredient is one possibility dose an amount of ingredient, which can be check weighed.

**END WEIGHING:** Press “ NO “.

- ADJUST MODE:** Press “↑” three times, the display reads “ADJUST”. By pressing “YES” it is possible to press “↑” for adjusting the cup size, strength, carafe, temperature, brew limit, version, language, watch, and timers.
- CUP SIZE:** In ADJUST MODE press “YES”, the display reads “select drink”. You can now press the key you wish to alter. By pressing “↑” or “↓” you can now increase or decrease the cup size.
- STRENGTH:** In ADJUST MODE press “↑”, then press “YES”. The display now reads “STRENGTH”. Press “YES” again, and the display now reads “select drink”. When you have pressed the selection key you wish to alter you can by pressing “↑” or “↓” dose more or less of the ingredient indicated in the display. Once the alteration requested has been carried out, press “YES” in order to accept the alteration. Subsequently, if the drink consists of more than one ingredient you can now alter the other ingredients (default setting 100%).
- CARAFE:** In ADJUST MODE press “↑” twice, then press “YES”. The display now indicates the number of cups to be served if the carafe key is selected. By pressing “↑” or “↓” the number of cups can be increased or decreased. Once the number of cups requested is indicated in the display, press “YES” in order to accept your choice.
- TEMPERATURE:** In ADJUST MODE press “↑” three times, then press “YES”. The display now indicates the actual temperature setting. By pressing “↑” or “↓” you can increase or decrease the temperature. Once the temperature requested is indicated in the display, press “YES” in order to accept your choice.
- BREW LIMIT:** In ADJUST MODE press “↑” four times, then press “YES”. The display now indicates the actual brew limit in percentage. By pressing “↑” or “↓” you can increase or decrease the brew limit. Once the brew limit requested is indicated in the display, press “YES” in order to accept your choice.
- VERSION:** In ADJUST MODE press “↑” five times, then press “YES”. The display now indicates the actual version number. By pressing “↑” or “↓” you can increase or decrease the version. Once the version requested is indicated in the display, press “YES” in order to accept your choice. NOTE! Optional feature.
- LANGUAGE:** In ADJUST MODE press “↑” six times, and then press “YES”. The actual language will be indicated in the display. By pressing “↑” or “↓” you can choose from the languages English, German, and Danish. Once the language requested is indicated in the display, press “YES” in order to accept your choice.
- WATCH:** In ADJUST MODE press “↑” seven times, then press “YES”. The display indicates the built-in watch in which the intervals are flashing. By pressing “↑” or “↓” you can choose the interval requested. Once the interval requested is indicated in the display, press “YES” in order to accept your choice.

- TIMER:** In ADJUST MODE press “↑” eight times, then press “YES”. The display indicates Timer 1’s “on”-time, and the intervals will be flashing. By pressing “↑” or “↓” you can step up and down until the requested interval is indicated in the display. Once the interval is indicated in the display, press “YES” in order to accept your choice. Hereinafter you can set the hours. In order to accept your choice, press “YES”. Next the display will indicate Timer 1’s “off”-time and the intervals will be flashing. By pressing “↑” or “↓” you can step up and down until the requested interval is indicated in the display. Once the interval is indicated in the display, press “YES” in order to accept your choice. Hereinafter you can set the hours. Press “YES” to accept your choice.
- The display now reads “TIM 1 INACTIVE” By means of “↑” or “↓” you can switch between INACTIVE and ACTIVE. Once the requested function is indicated in the display press “YES” in order to accept your choice.
- Hereinafter you can set Timer 2 accordingly.
- FAN SPEED:**  
(Optional setup) In ADJUST MODE press “↑” nine times, then press “YES”. The display will indicate “FAN SPEED” in %. By pressing “↑” or “↓” you can step up and down until the requested percentage of the fan idle speed is reached, then press “YES” in order to accept your choice.
- READ MODE:** Press “↑” twice. The display reads “READ”. Press “YES”. It is now possible to readout counters and product data in “READ MODE”.
- COUNTER:** In READ MODE press “YES”. The display reads “COUNTERS”. Press “YES” and the display reads “TOTAL:xxxx”. The number indicates the total number of cups served. By pressing the selectionkeys now enables you to read the individual key counters.
- TURNOVER:**  
(Optional, when coinmech installed) In READ MODE press “↑” and the display reads “TURNOVER”. Press “yes” and the display reads “TOTAL: xx.xx” showing the total amount of money inserted. Press “↑” and the display reads “TOKEN: xx” indicating how many tokens have been inserted (optional).
- RESET COUNTERS:**  
(Service key inserted) In read mode press “YES”. The display reads “COUNTERS”. Press “YES” the display reads “TOT:” press “CLEAN” and the display reads “ARE YOU SURE” you want to reset the counters? If you press “YES” the counters will be reset, if you press “NO” counters will not be reset.
- READ PRODUCT DATA:** (Optional when quality key installed) Insert the service key. In Read mode press “YES” the display reads “COUNTERS”. Press “↓”, the display reads “PRODUCT DATA”. Press “YES” and the display reads the amount of the different products inserted by the quality keys.
- RESET PRODUCT DATA:** (Optional when quality key installed) Insert the service key. In Read mode press “YES” the display reads “COUNTERS”. Press “↓”, the display reads “PRODUCT DATA”. Press “YES”, and the display reads the amount of products. Press “CLEAN”, and the display reads “ARE YOU SURE” you want to reset the product date? If you press “YES” data will be reset, if you press “NO” nothing happens.
- SETTING MODE:** Press “↑” four times. The display reads “SETTINGS”. Press “YES”. It is now possible to choose among various functions such as: keyboard beep, child lock, Fahrenheit, a.m./p.m.time, display watch, automatic off, cup light, carafes, mugs, auto start, and sugar.
- KEY BEEP:** In SETTING MODE it is possible to choose if you want the coffee brewer make a beep when pressing the key’s on the keyboard.
- In SETTING MODE, press “↑”. The display reads “KEY BEEP”. Press “YES” to activate or deactivate this function.

- CHILD LOCK:** In SETTING MODE it is possible to choose a function protecting children against activating the brewing process by mistake. If the CHILD LOCK is activated you must press two selection keys at the same time in order to serve a drink.
- In SETTING MODE, press “↑” twice. The display reads “CHILD LOCK”. Press “YES” to activate or deactivate the lock. Once “CHILD LOCK” is activated you must press the “YES”-key at the same time you press the selection key for the drink you wish to serve.
- FARENHEIT:** In SETTING MODE it is possible to choose whether the temperature should be indicated as Farenheit or Celcius.
- In SETTING MODE, press “↑” three times. The display reads “FARENHEIT”. By pressing “YES” Farenheit readout can either be activated or deactivated.
- AM/PM TIME:** In SETTING MODE it is possible to choose whether the watch should indicate the time by means of a.m./p.m. or 00:00 to 24:00.
- In SETTING MODE, press “↑” four times. The display reads “a.m./p.m.TIME”. By pressing “YES” the function can either be activated or deactivated.
- DISPL. WATCH:** In SETTING MODE it is possible to choose whether the watch shall appear in the display or not. Press “↑” five times and the text “DISPL. WATCH” will appear in the display. By pressing “YES” it is possible to determine whether the function is active or inactive. By pressing “↑” or “↓” the function could be activated or deactivated. The alteration is accepted by pressing “YES” again.
- AUTOMATIC OFF:** In SETTING MODE it is possible to choose whether the coffee brewer should automatically turn off the heat when having been inactive for some time. Press “↑” six times and the display will show “AUTOMAT. OFF”. By pressing “YES” it is possible to determine whether the function is active or inactive. By pressing “↑” or “↓” the function could be activated or deactivated. The alteration is accepted by pressing “YES” again.
- CUP LIGHT:** In SETTING MODE it is possible to choose whether there should be light on the cup during the dispensing of a drink. Press “↑” seven times and the display will show “CUP LIGHT”. By pressing “YES” it is possible to determine whether the function is active or inactive. By pressing “↑” or “↓” the function could be activated or deactivated. The alteration is accepted by pressing “YES” again.
- CARAFES:** In SETTING MODE it is possible to choose whether the machine should dispense carafes or not. Press “↑” eight times and the display will show “CARAFES”. By pressing “YES” it is possible to determine whether the function is active or inactive. By pressing “↑” or “↓” the function could be activated or deactivated. The alteration is accepted by pressing “YES” again.
- MUGS:** In SETTING MODE it is possible to choose whether the machine should dispense mugs or not. Press “↑” nine times and the display will show “MUGS”. By pressing “YES” it is possible to determine whether the function is active or inactive. By pressing “↑” or “↓” the function could be activated or deactivated. The alteration is accepted by pressing “YES” again.

**AUTO START:** In SETTING MODE it is possible to choose whether the machine should automatically start up when any selection button is pressed. In case this function is activated the machine will dispense the drink chosen as soon as the water of the water tank is sufficiently hot (in 5-20 sec's). Press “↑” ten times, and the display will show “AUTO START”. By pressing “YES” it is possible to determine whether the function is active or inactive. By pressing “↑” or “↓” the function could be activated or deactivated. The alteration is accepted by pressing “YES” again.

**SUGAR/MILK:** In SETTING MODE it is possible to choose whether the machine should dispense drinks with sugar or with extra milk (on condition that a sugar canister is installed in the machine). Press “↑” eleven times and the display will show “SUGAR”. By pressing “YES” it is possible to determine whether the function is active or inactive. By pressing “↑” or “↓” the function could be activated or deactivated. The alteration is accepted by pressing “YES” again.

NOTE! If the sugar function is not activated the text “NOT ACTIVE” will appear in the display if a drink with sugar or extra milk is required.

**ADJUST LOCK:** In SETTING MODE it is possible to choose whether the machine should be possible or not for everybody to adjust different function. Press “↑” twelve times and the display will show “ADJUST LOCK”. By pressing “YES” it is possible to determine whether the function is active or inactive. By pressing “↑” or “↓” the function could be activated or deactivated. The alteration is accepted by pressing “YES” again. If this function is active it is only possible to adjust when the “SERVICE KEY” is inserted. (Se SERVICE KEY).

**WATER TANK:** In SETTING MODE it is possible to choose whether the machine should be connected to a water supply or use the build in water reservoir. Press “↑” thirteen times and the display will show “WATER TANK”. By pressing “YES” it is possible to determine whether the function is active or inactive. By pressing “↑” or “↓” the function could be activated or deactivated. The alteration is accepted by pressing “YES” again.

**PS!** Remember also to set the valve at the back of the coffee brewer to either “Water reservoir” or “Direct water connection”.


**SERVICE KEY:**  
(setting blocked) In SETTING MODE it is possible to choose whether it should be possible or not for everybody to adjust and change settings. In case this function is activated settings and adjustments is only possible when the “SERVICE KEY” is inserted. In setting mode, Press “↑” eleven times, and the display will show “ADJUST LOCK”. By pressing “YES” it is possible to determine whether the function is active or inactive. By pressing “↑” or “↓” the function could be activated or deactivated (it is only possible to deactivate when a service key is inserted). The alteration is accepted by pressing “YES” again.




**DESCALING:** Take out the cold water storage tank. Empty the tank and fill with 1 l of vinegar. Press “↑” six times, the display reads “DESCALE”. By pressing “YES” the display reads “WORKING” and the descaling programme starts. When the descaling programme has ended the display reads “FLUSH (Y/N)”. Now take out the cold water storage tank empty the tank and flush. Now press “YES” and the brewer starts flushing the brew system. Press “YES” several times to ensure the tank is fully cleaned, then press “No” to end or stop the descaling programme.

**PRICE SETTING:** Insert the “PRICE SETTING KEY” The display will show “SELECT DRINK”. By pressing “↑” and “↓” it is possible to increase and decrease the price on the selected drink. When you have reached the wanted price press “YES”. If you want to adjust prices on other drinks press the selection key for other drinks and press “↑” or “↓” to increase or decrease the price and accept by pressing “YES”.

## Initial start up of the coffee brewer

- 1) Set the On/Off. switch on the back of the coffee brewer to On = 1. There will be light in the display.

When the coffee brewer has been connected to power and water, it will for safety reasons not automatically take in water. The display will show a flashing  and a low temperature.

- 2) When the flashing  disappears press , and the coffee brewer will start taking in water for a maximum of 10 seconds. If the water supply pressure is too low, or water supply not connected there will be "FILL WATER!" indicated in the display. Press  once again to fill the water boiler.

- 3) Fill the ingredient bins of the coffee brewer.

- 4) As the products need to be brought forward to the end of the augers before a correct dosage can be obtained, the following test procedure is recommended:

- a) Place a cup under the outlets.
- b) Activate all the different selections one by one to make sure, that all product augers have been active.

The coffee brewer is now ready for use.

## Normal use

### Brewing cups:

During normal use, a cup is dispensed by placing a cup or a mug under the outlet spout and press the appropriate selection key.

### PRESELECTIONS:

Brewing carafes:

Press “↑” and “YES“. The display will show “SELECT DRINK”.

Pressing a selection key will now cause the dispensing of the number of cups programmed for the selected carafe size.

Pressing “NO” will cause the coffee brewer to stop the carafe brew after completing the ongoing cup.

The pre-selection carafe is cancelled if “NO” is pressed.

The pre-selection carafe is cancelled automatically after 15 seconds if no selection key is pressed.

The pre-selection carafe is cancelled automatically after the brewing.

### Strong:

Pressing “STRONG” will activate the pre-selection STRONG. The display will show:

“STRONG 5%”. after 2 times pressing “STRONG” the display will show “STRONG 10%”

The following drink will now be made 10% stronger than normal. The function STRONG is in 10 steps. Each press on “STRONG” will increase the value by 5%, which will be indicated in the display.

The pre-selection STRONG is cancelled if “NO” is pressed.

The pre-selection STRONG is cancelled automatically after 15 seconds if no selection key is pressed.

The pre-selection STRONG is cancelled automatically after the brewing.

### Mild:

Pressing “MILD” will activate the pre-selection MILD (light). The display will show: “MILD 5%” after 3 times pressing the display will show MILD 15%”

The following drink will now be made 15% lighter than normal. The function MILD is in 10 steps. Each press on “MILD” will increase the value by 5%, which will be indicated in the display.

The pre-selection MILD is cancelled if “NO” is pressed.

The pre-selection MILD is cancelled automatically after 15 seconds if no selection key is pressed.

The pre-selection MILD is cancelled automatically after the brewing.

Regarding the pre-selections STRONG and MILD with respect to mixed drinks, only the taste dominating product will be adjusted. In for example CAPPUCCINO, only the amount of coffee will be adjusted. For further details of the influence of STRONG / MILD on the individual selections, refer to the print out of the recipes.

## Setting / programming of the coffee brewer

### On/Off:

There are two ways to turn the coffee brewer off:

- 1) You can set the On/Off switch on the back of the machine to 0. This will cut the power to the control system of the coffee brewer thus turning this completely OFF.
- 2) You can turn the coffee brewer off by means of the “ON/OFF” key on the keyboard. (Keep the “ON/OFF” key depressed for 2-5 seconds). This will disable the keyboard of the coffee brewer, switch off the light in the display and switch off the heating element in the water tank. This way of switching the coffee brewer off has the advantage, that it will reduce the energy consumption.

The coffee brewer can be switched on again by pressing the key “ON/OFF”, or if the function “AUTO START” is active simply by pressing on of the selection keys.

### Service key (optional):

To prevent not authorised persons from playing with the keyboard and thus perhaps adjusting the setting inconveniently a “SERVICE KEY” is available. By means of this service key function it is possible to lock all settings. (The service key function is factory set disabled).

To enable the service key see section “SETTING MODE” page 11.

### Using service key:

When you want to change the settings of the coffee brewer, the service key must be inserted in the slot on the back side of the door. Insert the Service key, and the display will shortly show “SERVICE KEY”. All settings are now accessible.

### Adjusting the individual selections:

#### Cup size:

Press “↑” three times, the display reads “ADJUST”. Press “YES” and the display reads “CUP SIZE”. Press “YES” again and the display shows “SELECT DRINK”. Press the selection key you want to alter. By pressing “↑” or “↓” you can now increase or decrease the cup size. Press “YES” to accept the altered size, and three times “NO” to leave the adjust mode.

#### Strength:

Press “↑” three times, the display reads “ADJUST”. Press “YES” and the display reads “CUP SIZE”. Press “↑” until “STRENGTH” is shown in the display. Press “YES” and the display shows “SELECT DRINK”. Press the selection key you want to alter. By pressing “↑” or “↓” you can now increase or decrease the strength of the first ingredient, when altered and accepted by pressing “YES”, you can alter the second ingredient by pressing “↑” or “↓” and accept by pressing “YES” also.

Press “YES” to accept the altered size, and three times “NO” to leave the adjust mode. For mixed drinks, it is possible to adjust the strength for the individual components. The sequence of the product to be adjusted is the same as the sequence in the print out of the recipe.

#### Carafe sizes:

Press “↑” three times, the display reads “ADJUST”. Press “YES” and the display reads “CUP SIZE”. Press “↑” until “CARAFE” is shown in the display. Press “YES” and the display shows “6 CUPS”. By pressing “↑” or “↓” you can now increase or decrease the number of cups per carafe. When altered and accepted press “YES”



## Maintenance

**Important:** To maintain sanitary conditions it is of the utmost importance that all components that are in contact with the drinks are kept clean.

**Important:** Machines dispensing beverages must be manufactured, installed and operated in a way that leaves absolutely no risk of pollution or other depreciation of the beverages.

**Important:** Do not sink the coffee machine into water and do not use high pressure cleaner.

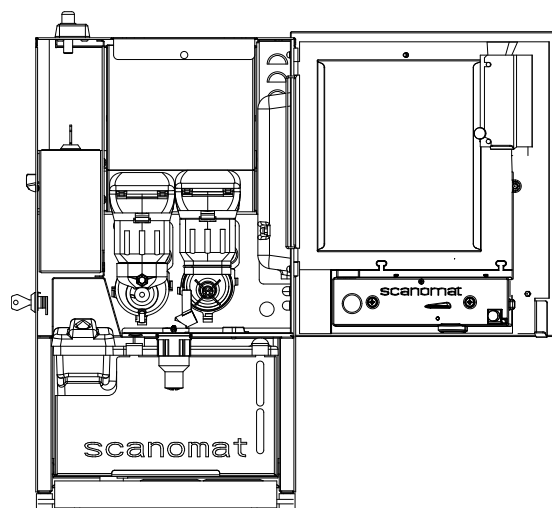
**Note:** A high quality of the daily maintenance secures a high level of hygiene and a well working coffee brewer.

### Daily Maintenance:

**Important:** Clean the water reservoir every day in a mild soap solution.

**Caution:** Before starting the cleaning procedure make sure that the coffee brewer is switched off in order to avoid damages and injuries with hot water and rotating parts. Make sure to switch off the machine on the main switch (see point J on the General Drawing).

1. Rinse in hot water with a mild soap solution.
2. Switch off the main switch (“J”) on the back of the coffee brewer. Light and text in the display will disappear.
3. Dismount outlet nozzle, “G and F”, and clean by means of the cleaning brush.
4. Clean outlet tube, “E”, by means of the cleaning brush.
5. Dismount ingredient funnels, “B”, and wash in hot water with a mild soap solution (dismount by lifting the hinges).
6. Dismount mixer bowls and whipper houses “C” and “D” by turning the whipper house “D” to the right and pulling out. Clean in hot water with a mild soap solution.
7. Note: Beware only to dismount the wipper blade, if it’s necessary, by means if there is dirt inside the silicone bellow or if the white teflon seal can’t move freely forth and back on the shaft. Note: If the whipper blade, “O”, is dismounted, please see to it that it is re-mounted correctly (the arrow must point towards the flat part of the shaft, and the blade must be pressed over the shaft till it clicks). Note: Beware not to damage the white teflon seal. It only may be cleaned with a soft brush. It is recommended to change the impellor, bellow and teflon seal minimum once a year.
8. Empty and wash drip tray “I” and mesh “P”.
9. Wash cabinet, door, whipper area and dispensing area. Use a light detergent solution and hot water.
10. Re-mount whipper houses and ingredient funnels, “D” and “B”. The funnels must be completely dry before re-mounting (see instruction on the inside of the door).
11. Switch on the coffee brewer.
12. Flush the brewing system:
  - a) Place a pot under the dispensing nozzles.
  - b) Press “CLEAN”.
  - c) It is possible to stop the flush programme at any time just by pressing “STOP”.
13. Fill the machine with ingredients for one day’s consumption. It is of the utmost importance that you observe this recommendation as ingredients easily absorb moisture.
14. Test the coffee brewer.



## Preventive Maintenance

The ingredient canisters are to be cleaned at fixed intervals depending on the performance of the machine and in which environment the machine is installed.

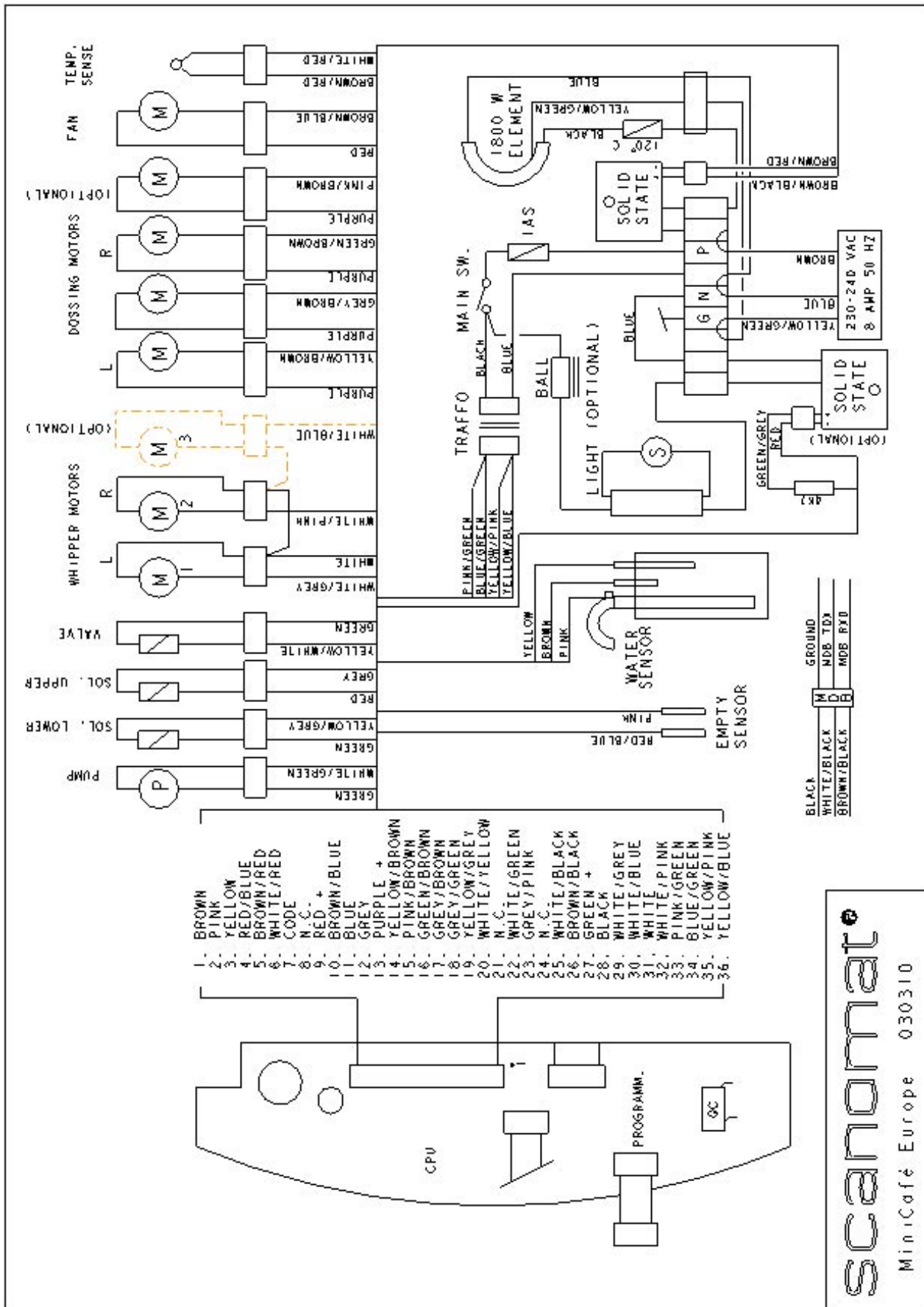
- 1) Use hot water with a mild soap solution.
- 2) Empty the canisters.
- 3) Remove remnants, if any.
- 4) Dismount the ingredient throw auger by pulling out the two snap locks, thus it is possible to pull out the auger. Rinse auger and ingredient canister in the hot water with mild soap solution. Do not re-install the ingredient canister and auger until they are completely dry.
- 5) Re-mount the ingredient canisters and fill up with ingredients for one day's consumption. Please make sure that the canisters are completely dry before filling.

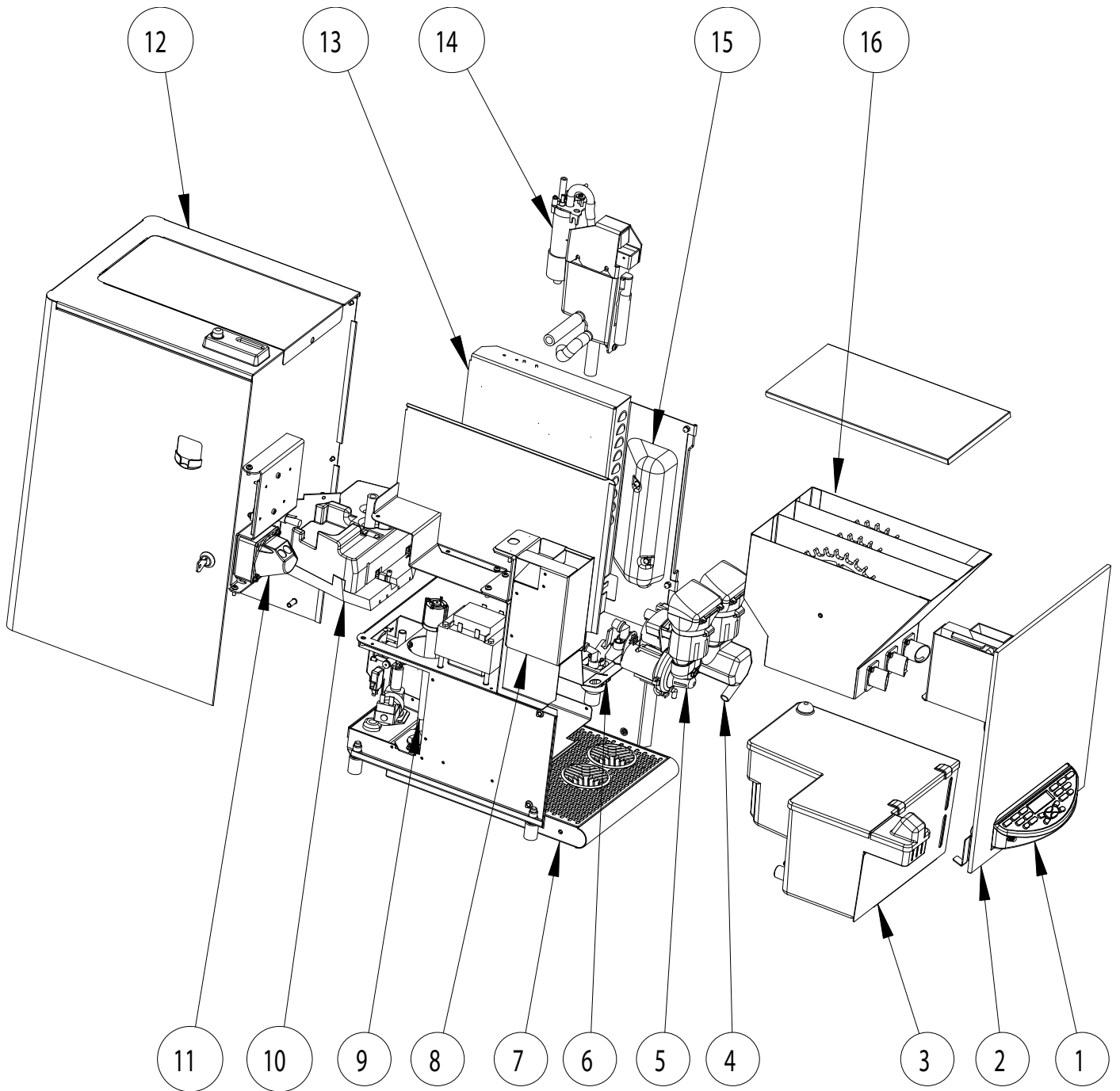
### Maintenance exhaustsystem

At fixed intervals, depending on the performance of the machine and the environment, the exhaustsystem must be cleaned. It is of the utmost importance that the ventilation of the unit operates optimal and therefore it must be cleaned regularly. Carefully vacuum clean the mesh on the rear side of the brewer and brush off sticking dust or dirt, if any with a soft brush. Also vacuum clean and brush the opening at the bottom of the coffee brewer.

## Trouble Shooting

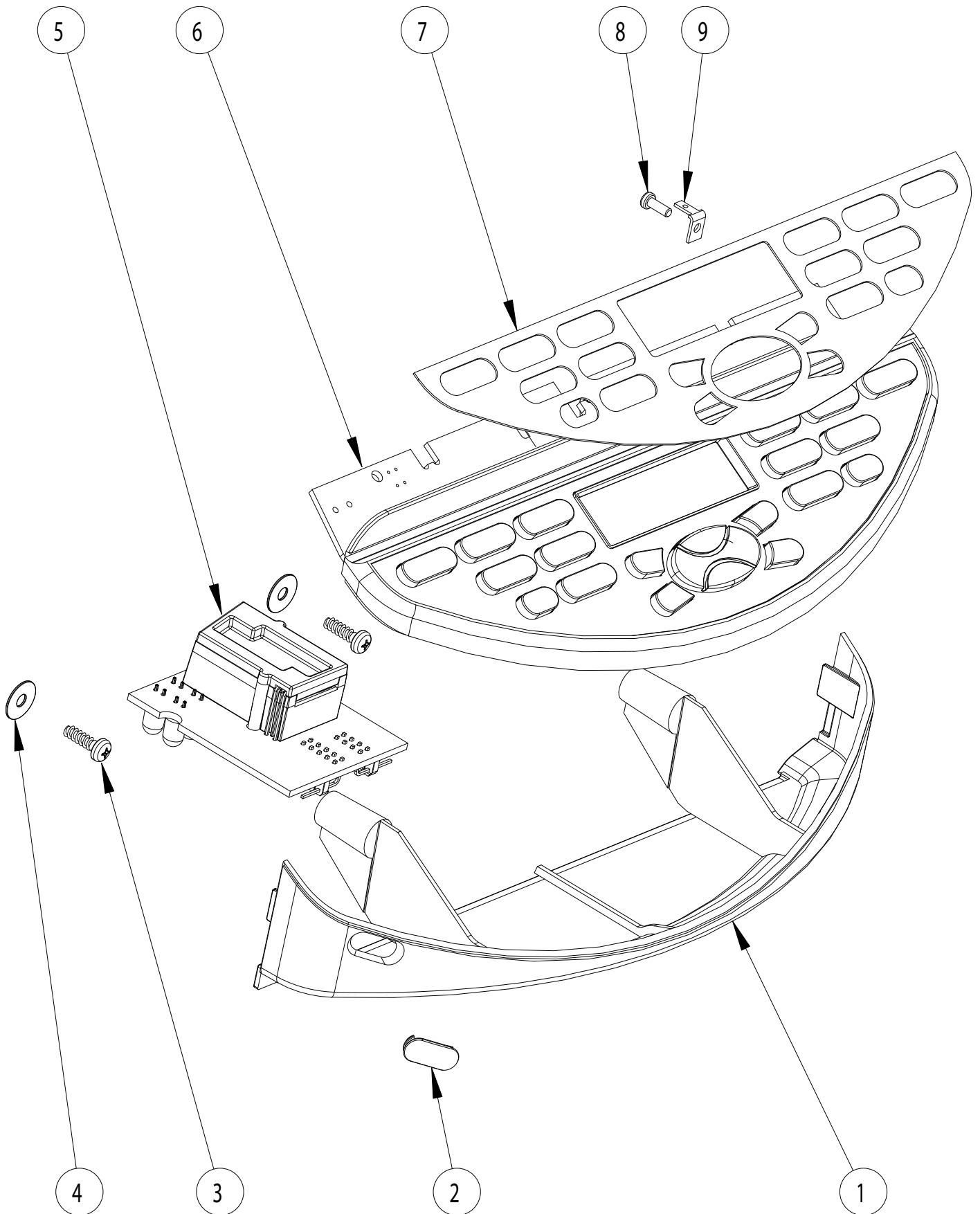
<b>Problem</b>	<b>Possible Cause</b>
<b>No operation at all</b>	Main switch (J) might be off Press “ON/OFF” on keyboard.
<b>Coffee brewer only dispenses water</b>	No ingredients in the canisters, Make sure the augers are turning when operating
<b>A thermometer appears in the display</b>	Wait a few seconds until water is hot.
<b>Clogged mixing bowl or whipper</b>	Dismount and clean the mixing units (see “Daily Maintenance”)
<b>Dripping from outlet spouts</b>	Activate clean programme a couple of times
<b>Display show “OVER LOAD”</b>	Whipper or product motor is blocked Activate clean programme and clean whipper Impellor and seal.
<b>Display show “FILL WATER”</b>	Check water connection
<b>Display show “NOT ACTIVE”</b>	Sugar and milk selection is not active.
<b>Erratic dispensing of products only (no water)</b>	Check cup size (minimum 65 ml)





## Contents

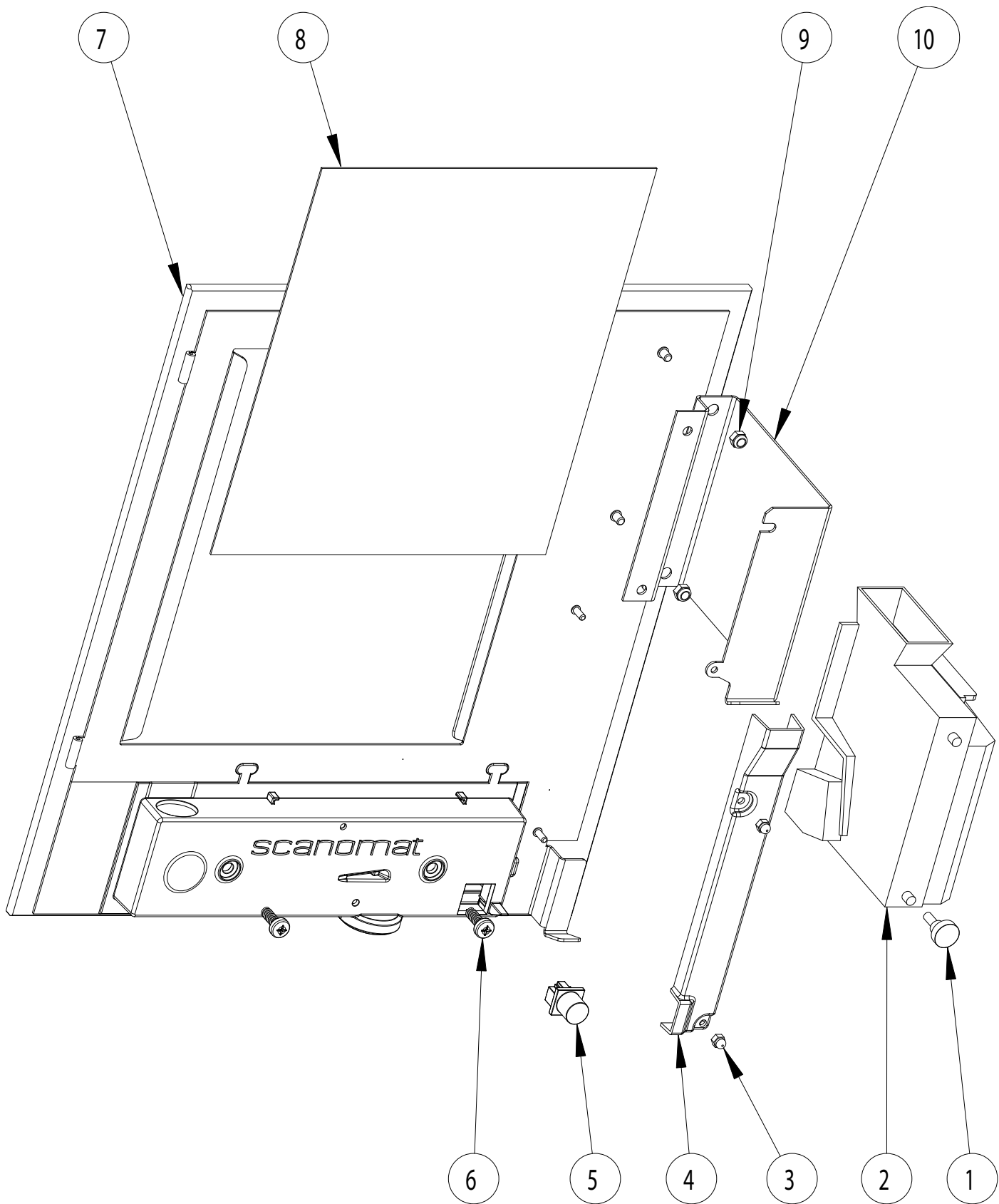
Plate	Page		
1	21	-	22
2	23	-	24
3	25	-	26
4	27	-	28
5	29	-	30
6	31	-	32
7	33	-	34
8	35	-	36
9	37	-	38
10	39	-	40
11	41	-	42
12	43	-	44
13	45	-	46
14	47	-	48
15	49	-	50
16	51	-	52



## Plate 1

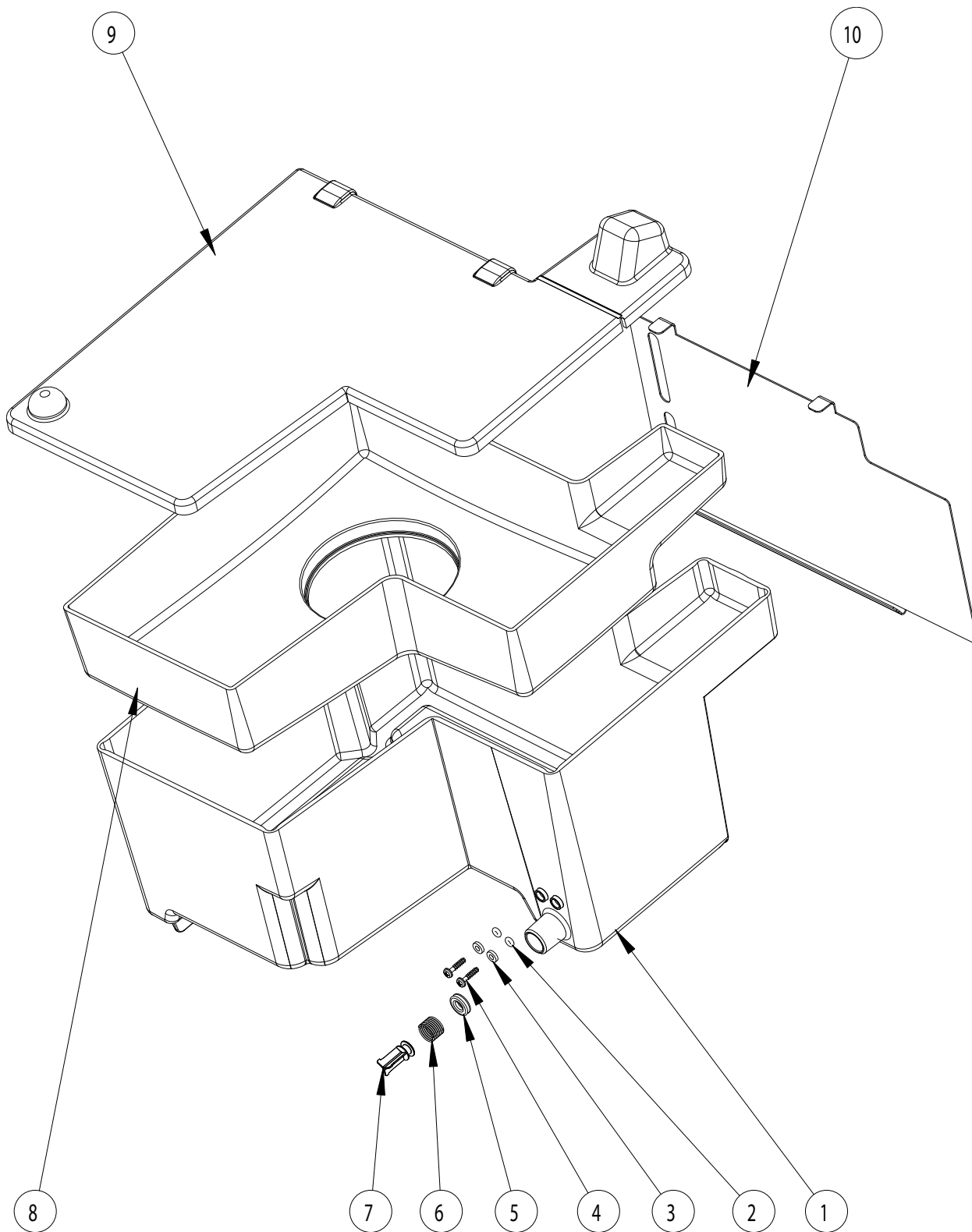
Pos.	Part no.	Description	Qty
1	5007003	Bottom of control panel	1
2	5007007	Light guide for IR diode	1
3	4200005	Screw Ø3.1 x 10 PT	2
4	3748000	Washer Ø9 x Ø3	2
5	4090000	Quality key/LED board	1
6	2001578	Control panel (F)	1
7	5007021	Overlay for switch	1
8	4200010	Screw Ø2.2 x 6 PT	1
9	4300346	Pin contact	1





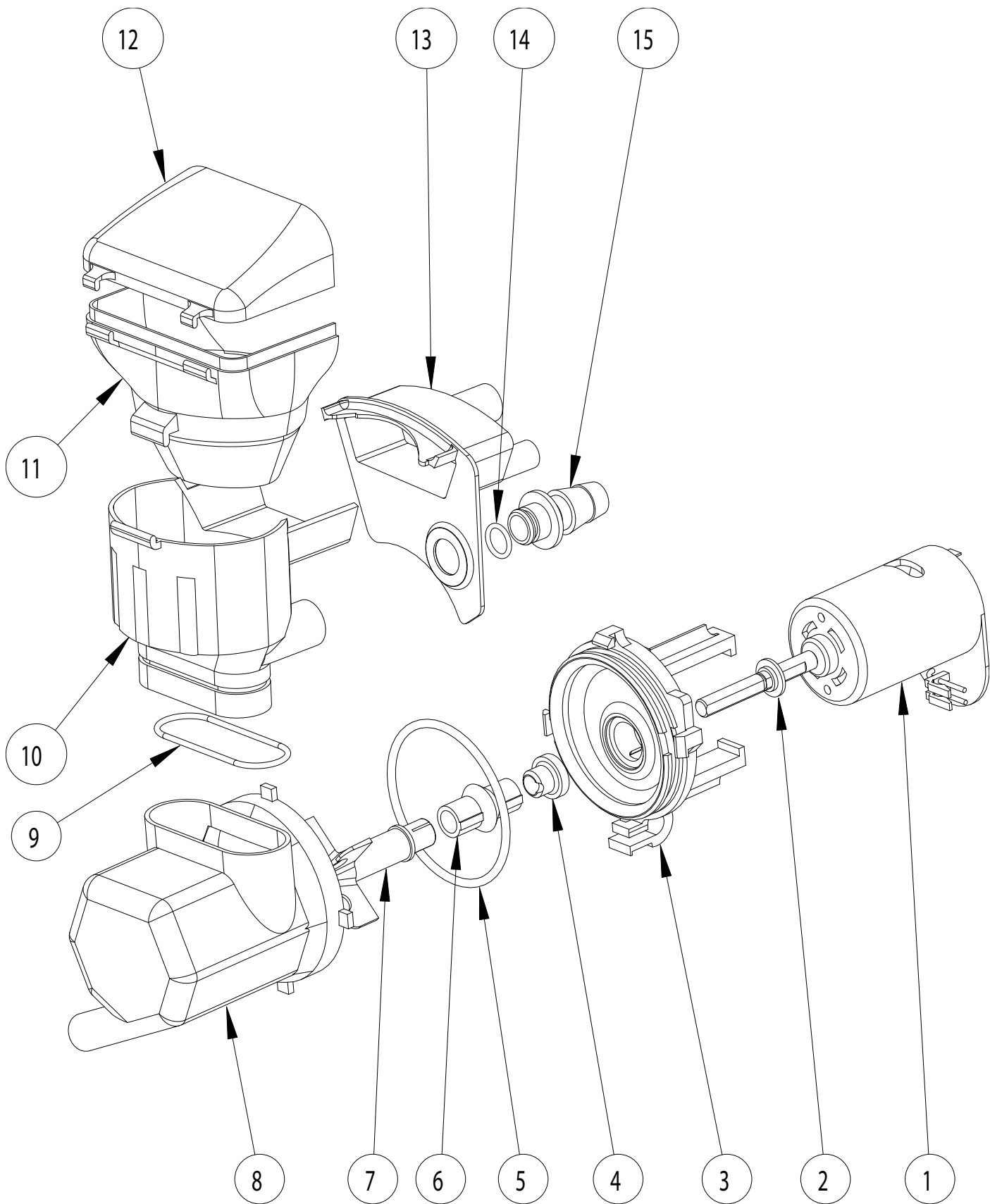
## Plate 2

Pos.	Part no.	Description	Qty
1	990160010000	Screw M4 x 8 PH-X	1
2	4200039	Coinvalidator	1
3	990160012000	Cap nut M3	2
4	2001552	Cable cover	1
5	4327000	Plug	1
6	4108000	Screw Ø5 x 14 PT	2
7	4300304/1	Door	1
8	2001593	Rear support for photo	1
9	990260044000	Nut M4 nyloc	2
10	2001542	Bracket	1
	2865000	Cable cashflow 8 bit CPU	1
	4300238	Cable static ground	1
	4300211	Cable harness	1
	4111000	Cable programming interface	1
	4300227	Photo	1



### Plate 3

Pos.	Part no.	Description	Qty
1	2001604	Water tank	1
2	4200027	O-ring Ø2 x Ø2	2
3	4200055	Washer Ø3	2
4	4200026	Screw Ø3 x 13/9 DG	2
5	4172000	Gasket	1
6	5004010	Valve spring	1
7	5004008	Valve body	1
8	2001664	Filter tank	1
9	2001605	Lid for water tank	1
10	2001554	Front plate	1



## Plate 4

Pos.	Part no.	Description	Qty
1	970011287000	Whipper motor 24V DC	1
2	970011267276	Water blocker	1
3	970011255264	Whipper base	1
4	970011346452	Teflon gasket for whipper	1
5	970011676000	O-ring Ø50.47 x Ø2.62	1
6	970011837000	Bellows for whipper	1
7	970011265274	Impeller	1
8	970011673268	Whipper house LH outlet	1
9	990480006000	O-ring Ø33.00 x Ø1.78	1
10	970011260269L	Mixing bowl LH outlet	1
11	970011262271	Ingredient funnel	1
12	970011263272	Cover for ingredient funnel	1
13	970011256265	Exhaust house	1
14	970011675000	O-ring Ø8.00 x Ø1.50	1
15	970011257266	Quick connection	1
	2869000	Whipper kit complete. including pos. 1,2,3,4,5,6 & 7	1

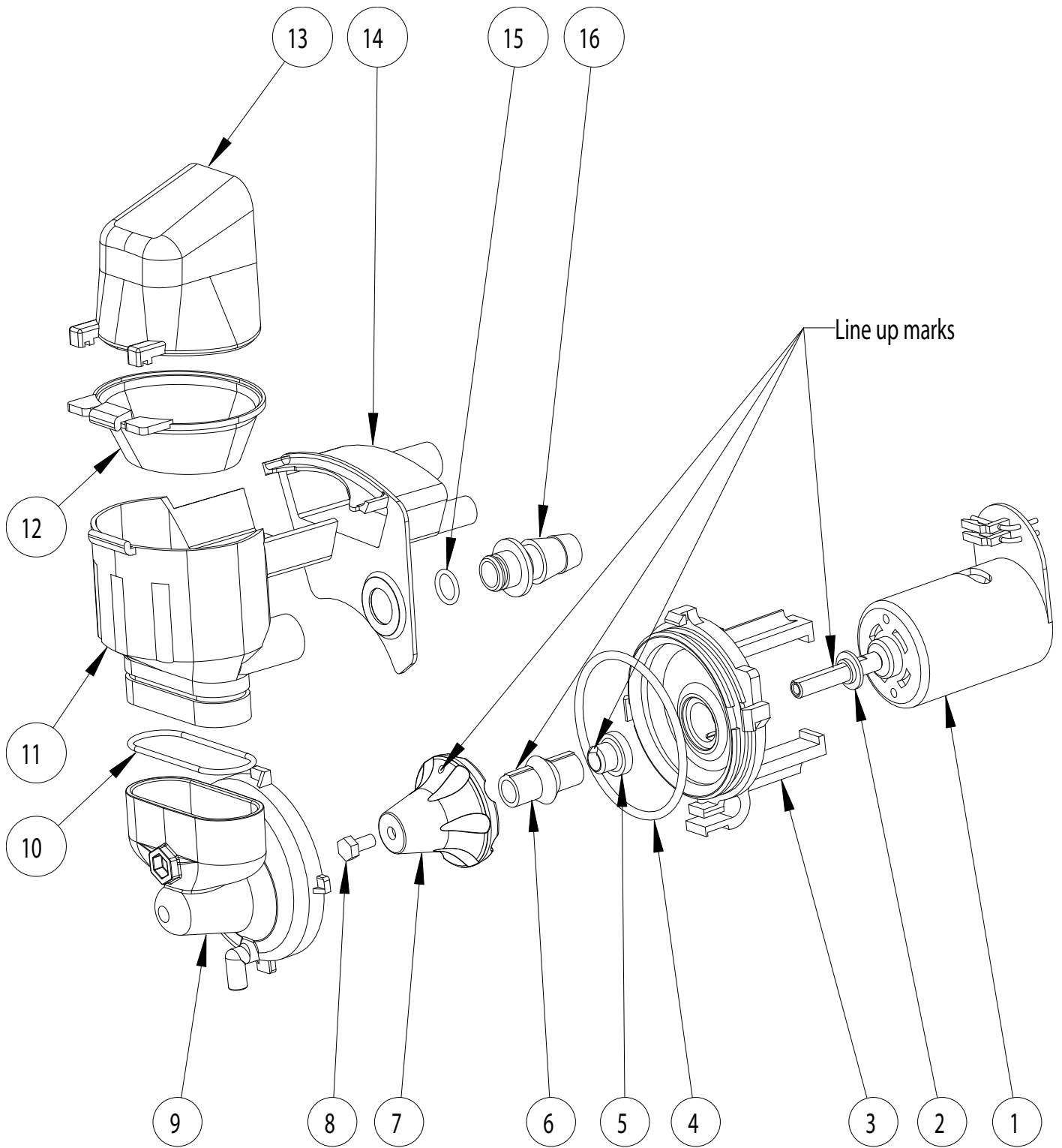
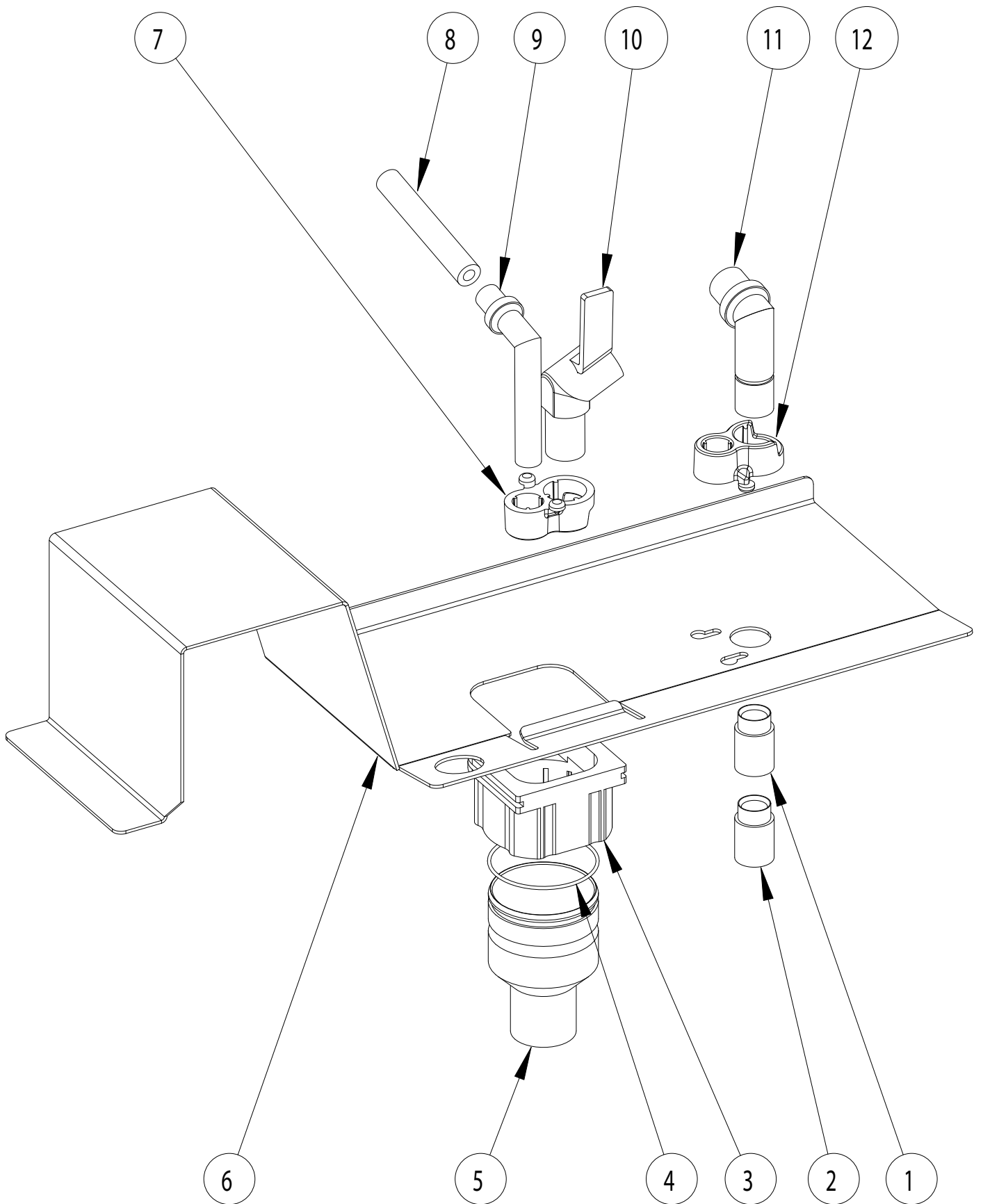


Plate 5

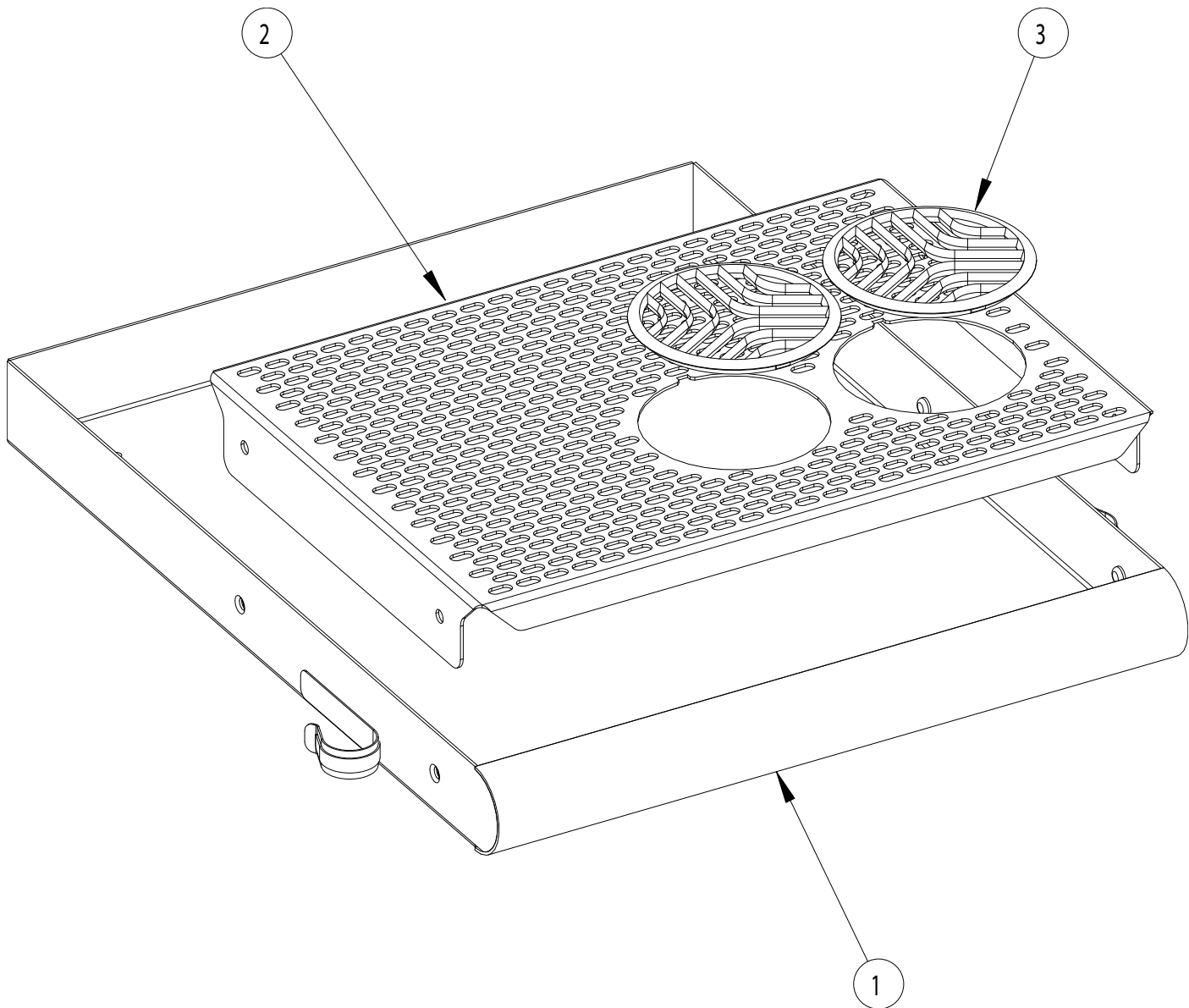
Pos.	Part no.	Description	Qty
1	2000822	Whipper motor 24 V DC	1
2	970011267276	Water blocker	1
3	970011255264	Whipper base	1
4	970011676000	O-ring Ø50.47x Ø2.62	1
5	970011346452	Teflon gasket for whipper	1
6	970011837000	Bellows for whipper	1
7	2000673	Impeller for espresso	1
8	990010564000	Bolt M4 x 8	1
9	2000828	Whipper house	1
10	990480006000	O-ring Ø533.00 x Ø1.78	1
11	970011260269R	Mixing bowl	1
12	970011261270	Ingredient funnel	1
13	970011264273	Cover for ingredient funnel	1
14	970011256265	Exhaust house	1
15	970011675000	O-ring Ø8.00 x Ø1.50	1
16	970011257266	Quick connection	1
	3506000	Whipper kit complete. including pos. 1,2,3,4,5,6,7 & 8	1





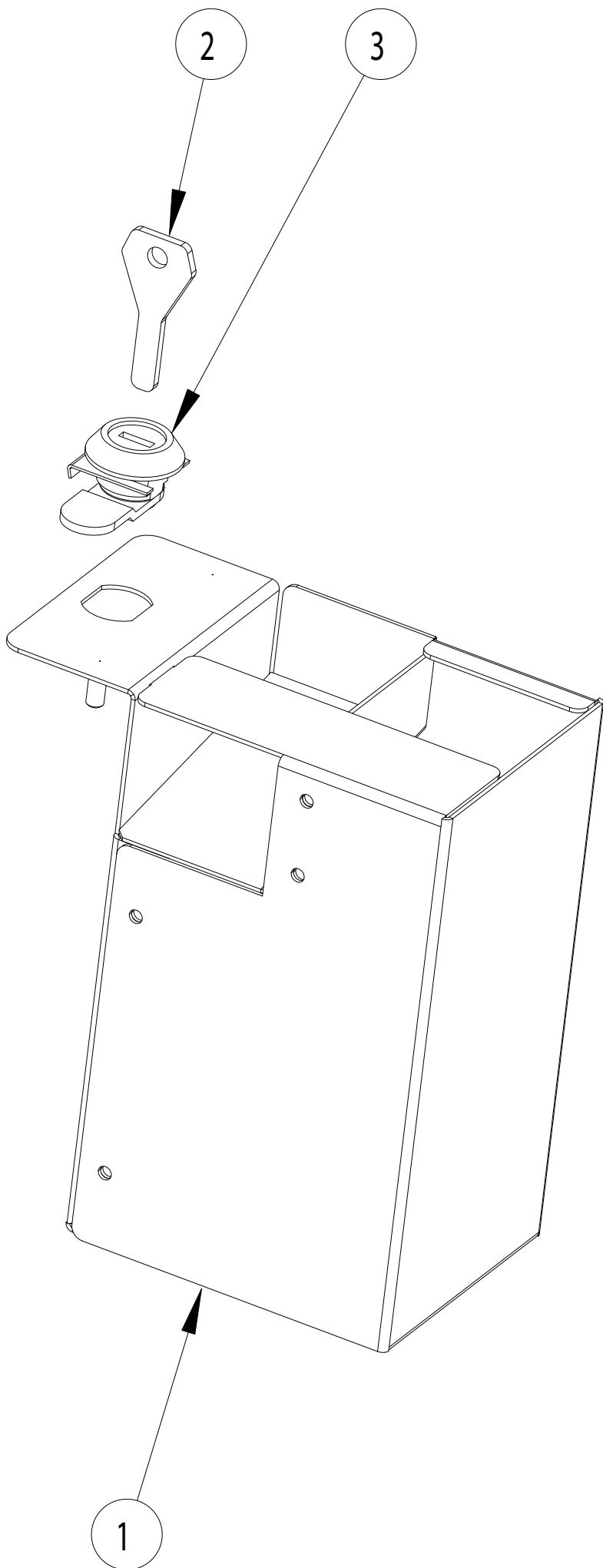
## Plate 6

Pos.	Part no.	Description	Qty
1	1765014	Extension for outlet pipe	1
2	1766014	Extension for outlet pipe	1
3	4300260	Support for jet concentrator	1
4	970012079000	O-ring Ø28.00 x Ø1.00	1
5	970011506618	Jet concentrator	1
6	2001490	Outlet support bracket	1
7	2001385	Support for espresso outlet	1
8	4130000	Silicone tube Ø4xØ8x50 mm	1
9	970011100228	Outlet pipe	1
10	2000836	Outlet pipe W/wing Left	1
11	970010730000	Outlet pipe	1
12	2001385	Support for espresso outlet	1



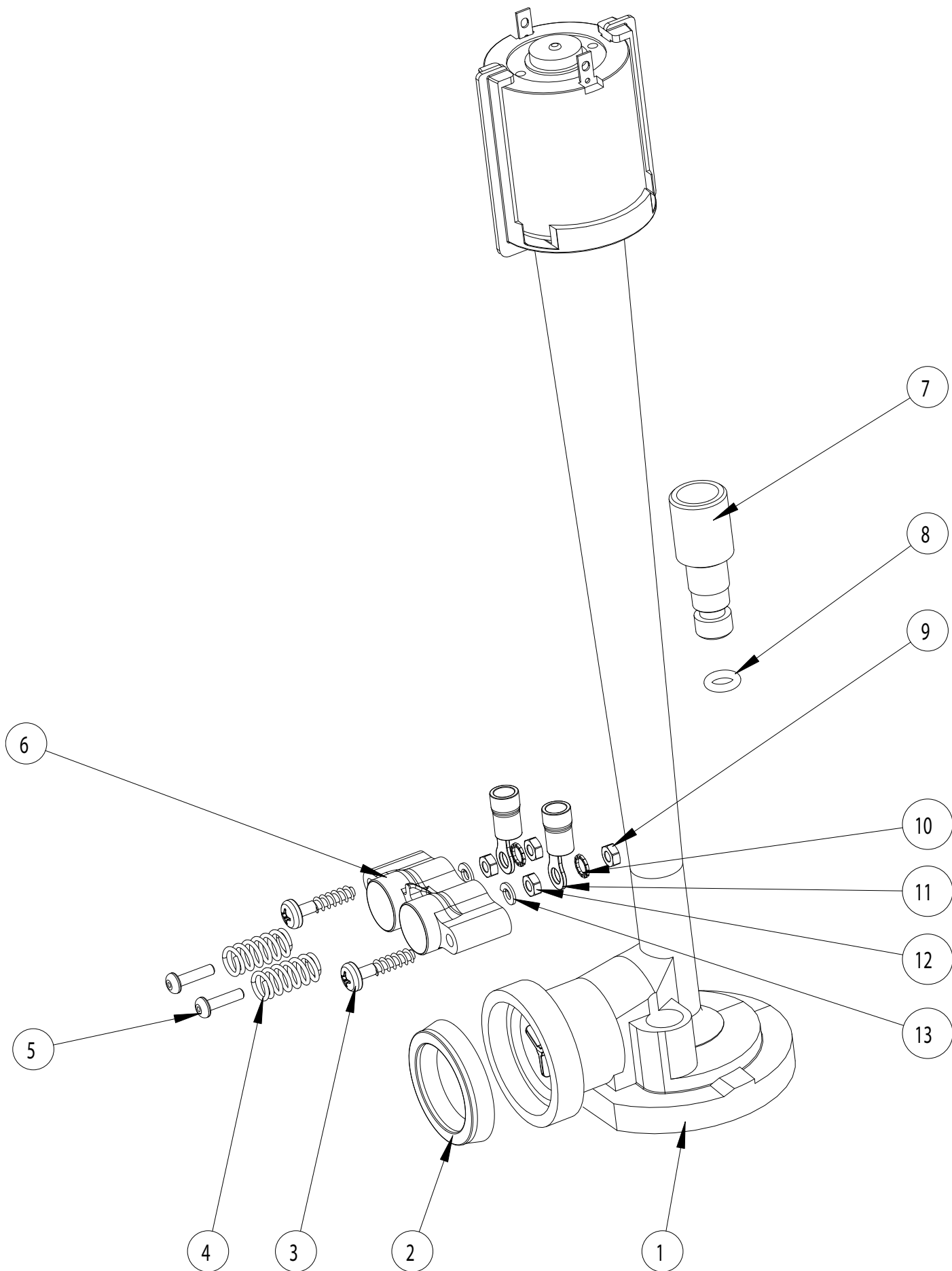
## Plate 7

Pos.	Part no.	Description	Qty
1	2001487	Drip tray	1
2	2001488	grating for driptray	1
3	1823939	Cup grating	2



## Plate 8

Pos.	Part no.	Description	Qty
1	2001495	Coin box	1
2	4200056	Key	1
3	4300258	Lock for coin box	1



## Plate 9

Pos.	Part no.	Description	Qty
1	4300392	Pump	1
2	4182000	Sleeve	1
3	4200026	Screw Ø3 x 13/9 DG	2
4	2001657	Sensor spring	2
5	2000815	Screw M2 x 8	2
6	2001656	Sensor house	1
7	2001577	Branch	1
8	4200033	O-ring Ø4.00 x Ø1.50	1
9	4200053	Nut M2	2
10	4200054	Lockwasher Ø 2 mm	2
11		Part of cable harness	
12	4200053	Nut M2	2
13	4200057	Spring washer	2



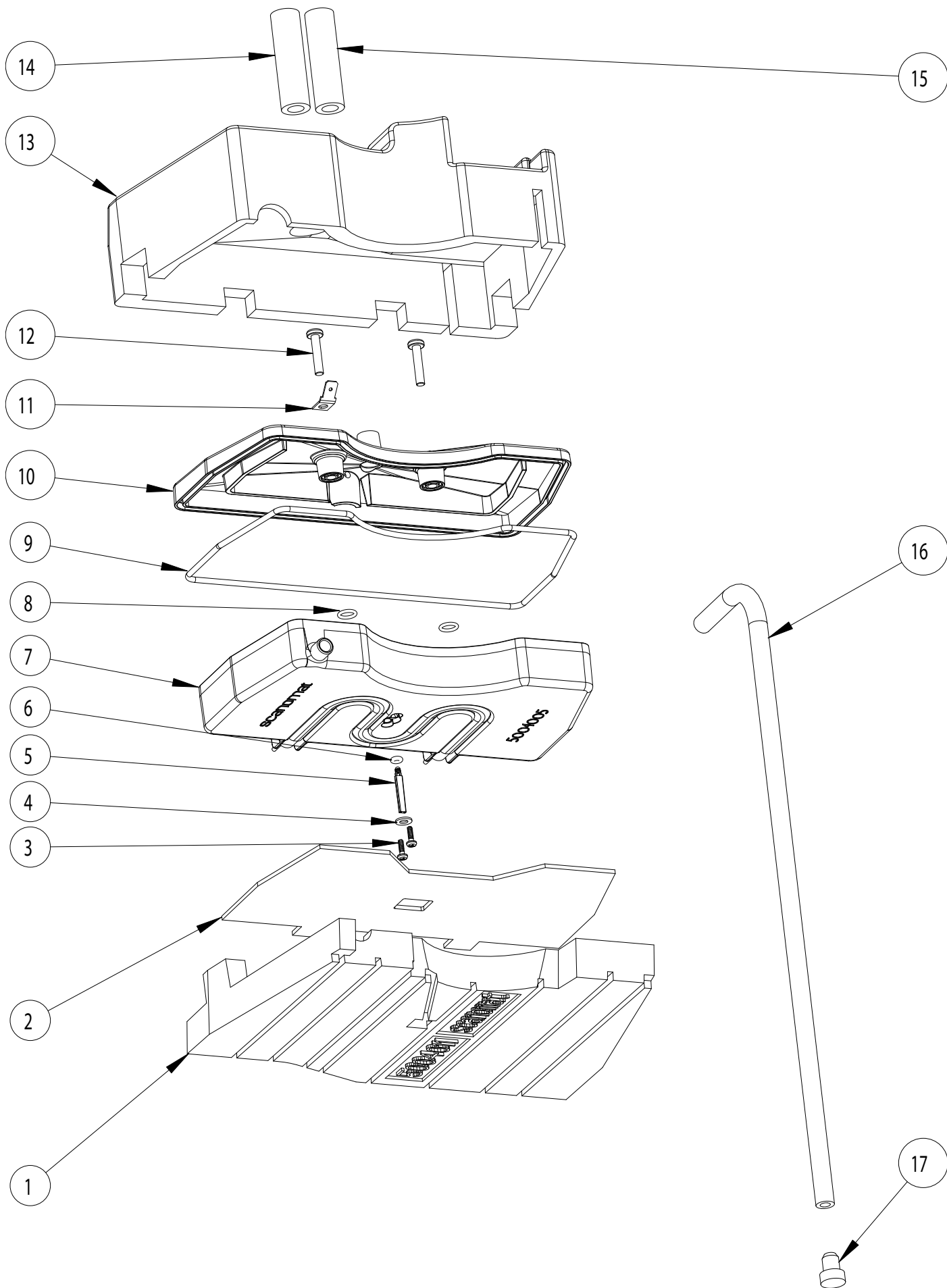


Plate  
10

Pos.	Part no.	Description	Qty
1	5004011	Insulator water tank bottom	1
2	5004016	Heating shield	1
3	4174000	Screw 25 x 08 DG	2
4	4200032	Washer Ø4.00xØ8.00x0.80 A2	1
5	4082000	Probe	1
6	4200027	O-ring Ø2.00xØ2.00 sil 70	1
7	4324000	Water tank bottom incl. Heater	1
8	4049000	O-ring Ø6.50xØ1.50 sil 70	2
9	5004017	O-ring 160.00xØ2.62 sil 70	1
10	2001346	Water tank top	1
11	4300250	Plug	1
12	4105000	Screw 40 x 20 PT	2
13	2001384	Insulator watertank top	1
14	990010862000	Silicone tube Ø14 x Ø8	1
15	990010862000	Silicone tube Ø14 x Ø8	1
16	4300295	Silicone tube Ø5xØ9x380	1
17	2001366	Outlet plug	1
	4055000	Wire heater element	1

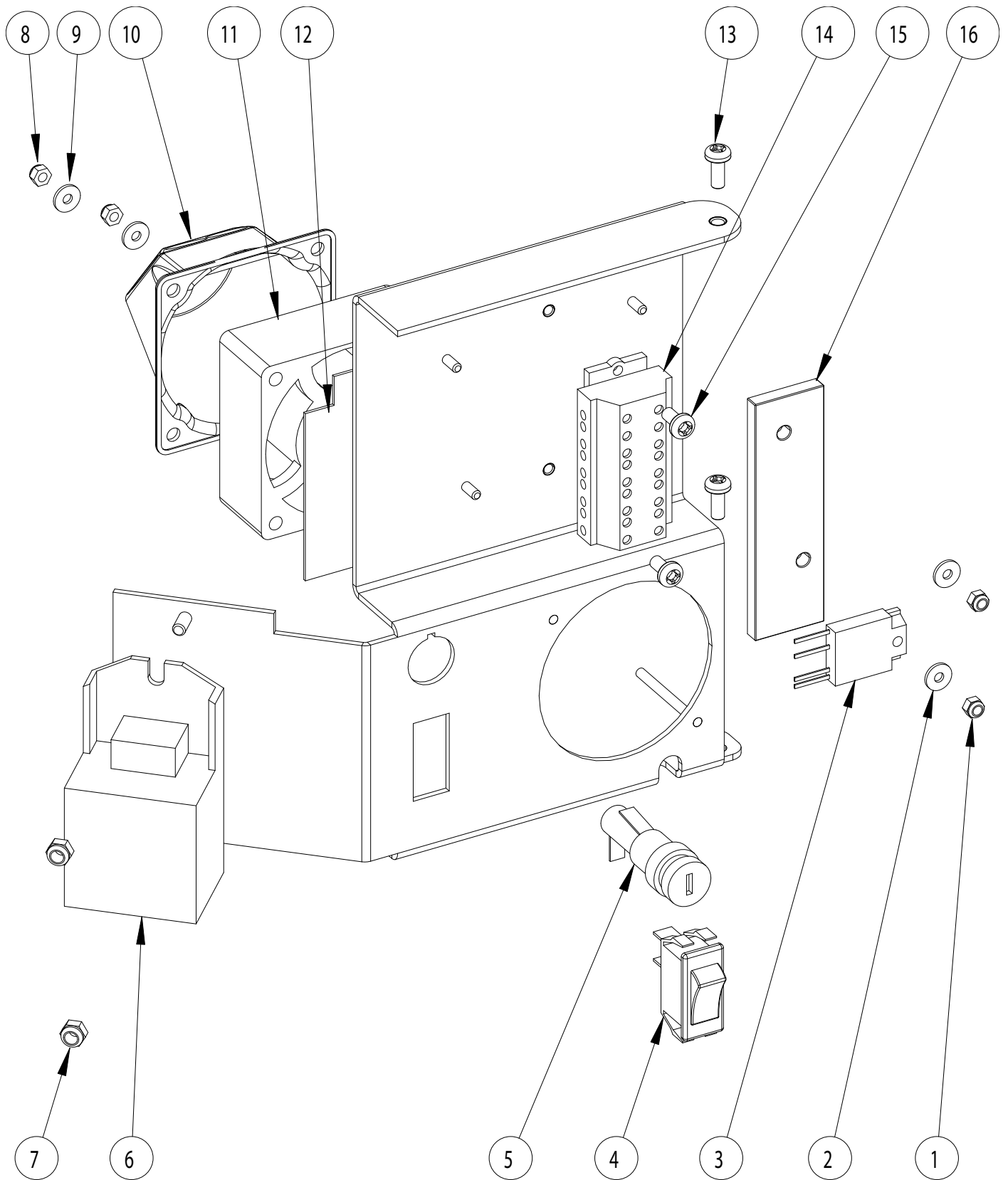


Plate  
11

Pos.	Part no.	Description	Qty
1	990260043000	Nut M3 nyloc	2
2	4025000	Washer Ø3 Ø8 x 0.6 mm	2
3	4039000	Solid state relay	1
4	970010633000	Main switch	1
5	4048000	Fuse support	1
	4300252	Fuse 1,6 A (T)	1
6	4151000	Choke coil for flourescent lamp	1
7	990260044000	Nut M4 nyloc	2
8	990260043000	Nut M3 nyloc	2
9	990160002000	Washer Ø3.20 x Ø8.80 x 1 mm	2
10	2001615	Fan house	1
11	3199000	Fan	1
12	970011859303	Mesh f. fan	1
13	990160025000	Screw M4 x 10	2
14	4200022	Terminal block	1
15	920260020000	Screw M3 x 8	2
16	2001253	Cooling plate	1
	4166000	Wire ground	1
	4300249	Wire ground	1
	4300261	Wire terminal block	1
	4300301	Wire main switch	1

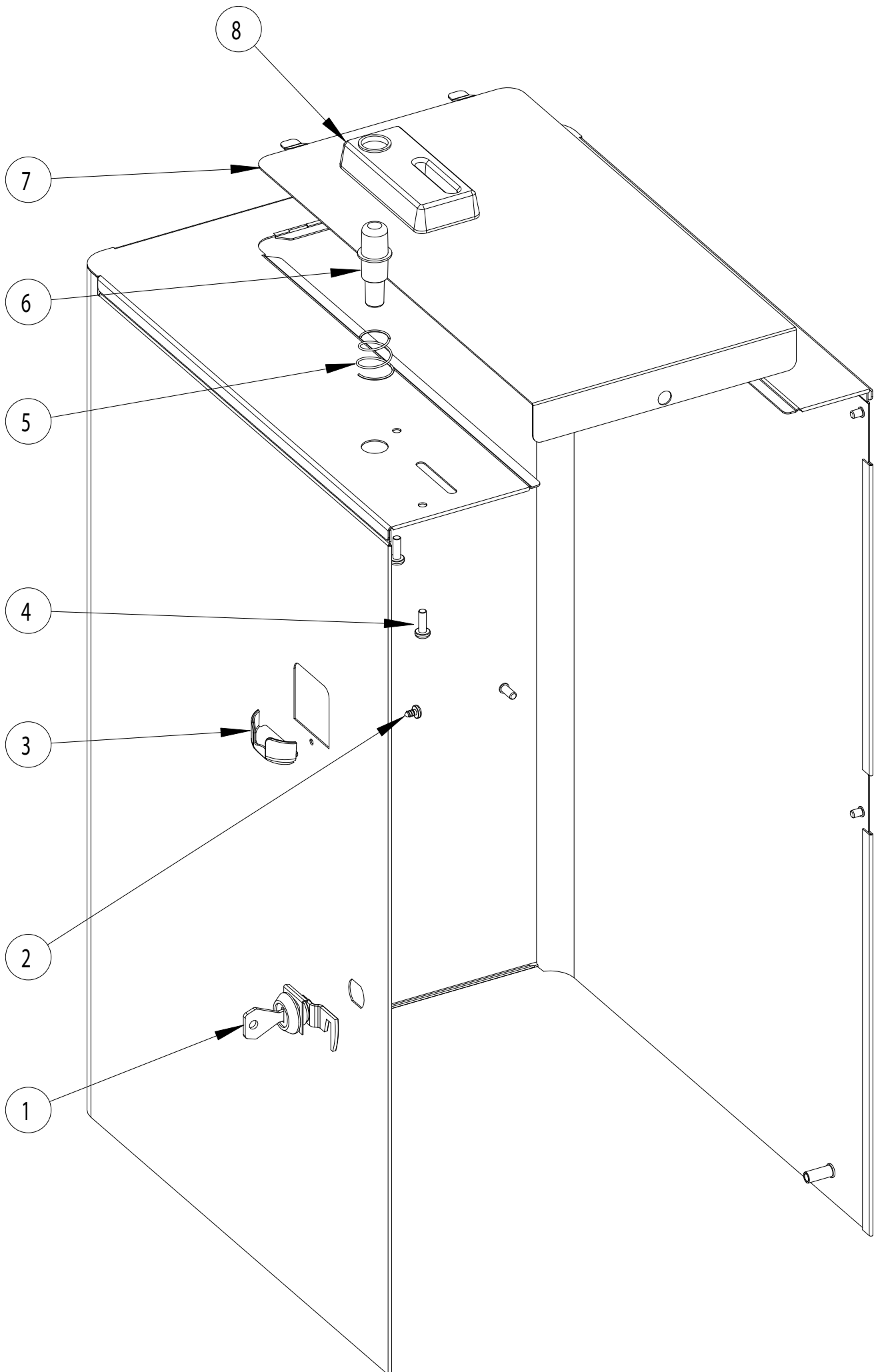


Plate  
12

Pos.	Part no.	Description	Qty
1	4200043	Lock 875	1
2	920270001801	Screw Ø3.5x6.5 A2	1
3	2001592	Coin return	1
4	970010658000	Screw 40x10 PT A2	2
5	2001565	Return spring	1
6	2001564	Button	1
7	2001485	Lid ingredient cannister	1
8	2001547	Coin insert	1

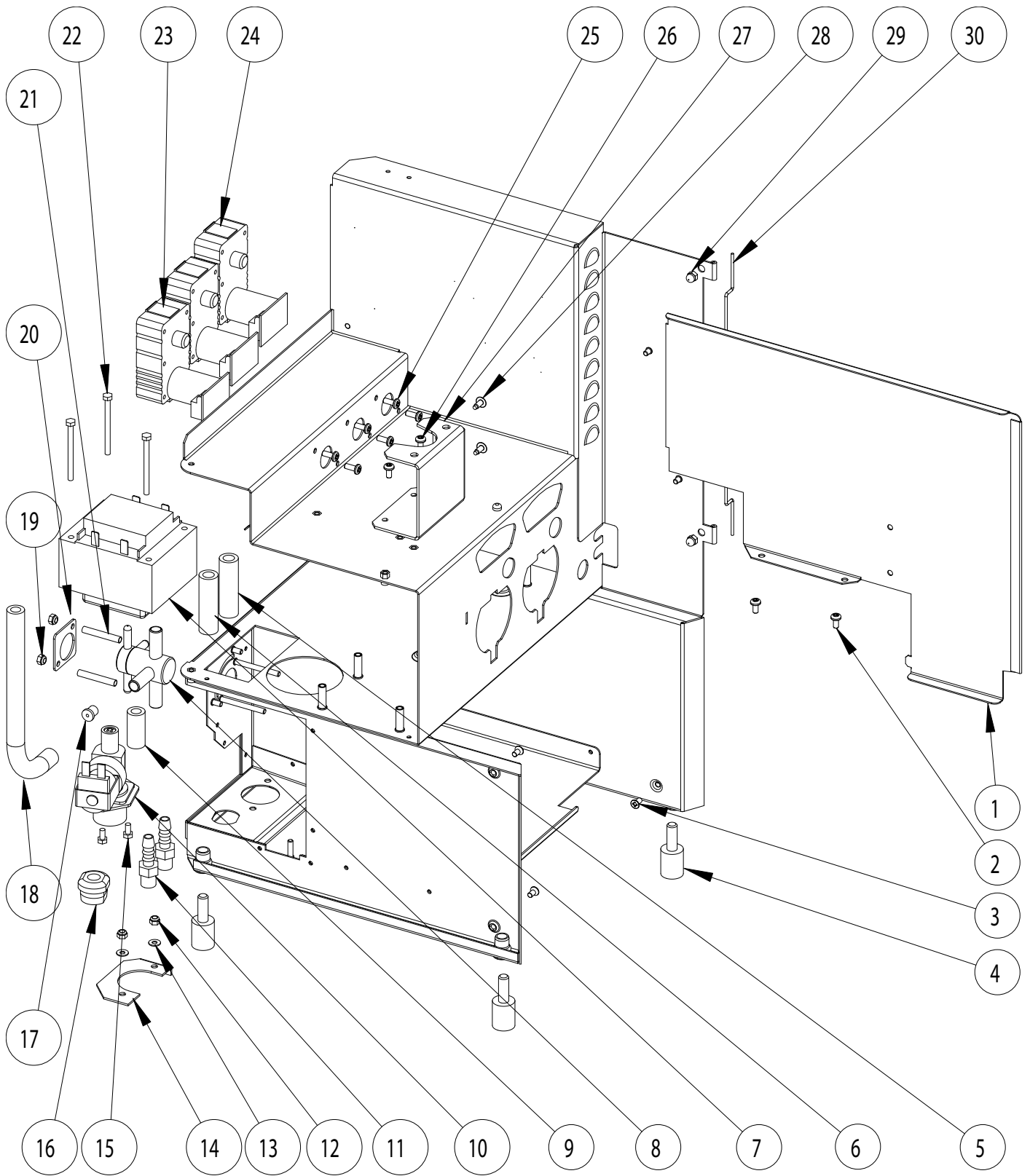


Plate  
13

Pos.	Part no.	Description	Qty
1	2001494	Dividing plate	1
2	990160010000	Screw M4 x 8	2
3	970012271000	Screw M4 x 10 torx	3
4	4065000	Leveller 22.3 mm	4
5	970010908000	Silicone tube Ø13 x Ø7	1
6	970010908000	Silicone tube Ø13 x Ø7	1
7	4196000	Transformer	1
8	4300212	Faucet 3-way	1
9	4127000	Silicone tube Ø14 x Ø8	1
10	970011286000	Inlet valve	1
11	970011251000	Tube connecting branch	2
12	990260044000	Nut M4 nyloc	2
13	990260049000	Washer Ø4 x Ø9.3 x 1 mm	2
14	2001538	Bracket for pump	1
15	990010564000	Bolt M4 x 8	2
16	970010710000	Cable relief	1
17	2001613	Flow regulator	1
18	990010862000	Silicone tube Ø14 x Ø8	1
19	990260044000	Nut M4 nyloc	2
20	2001497	Bracket for faucet	1
21	4300242	Spacer 33 mm	2
22	4200036	Bolt M4 x 50	3
23	970011620000	Gear motor 1x 82 rpm	1
24	970011738000	Gear motor 1x127 rpm	2
25	970010658000	Screw Ø4 x 10 PT	6
26	990100035000	Screw M4 x 10	2
27	2001479	Bracket for coin box	1
28	990100035000	Screw M4 x 10	2
29	970010790000	Top nut M4	2
30	2001259	Hinge pin	1
	4300257	Cable power	1



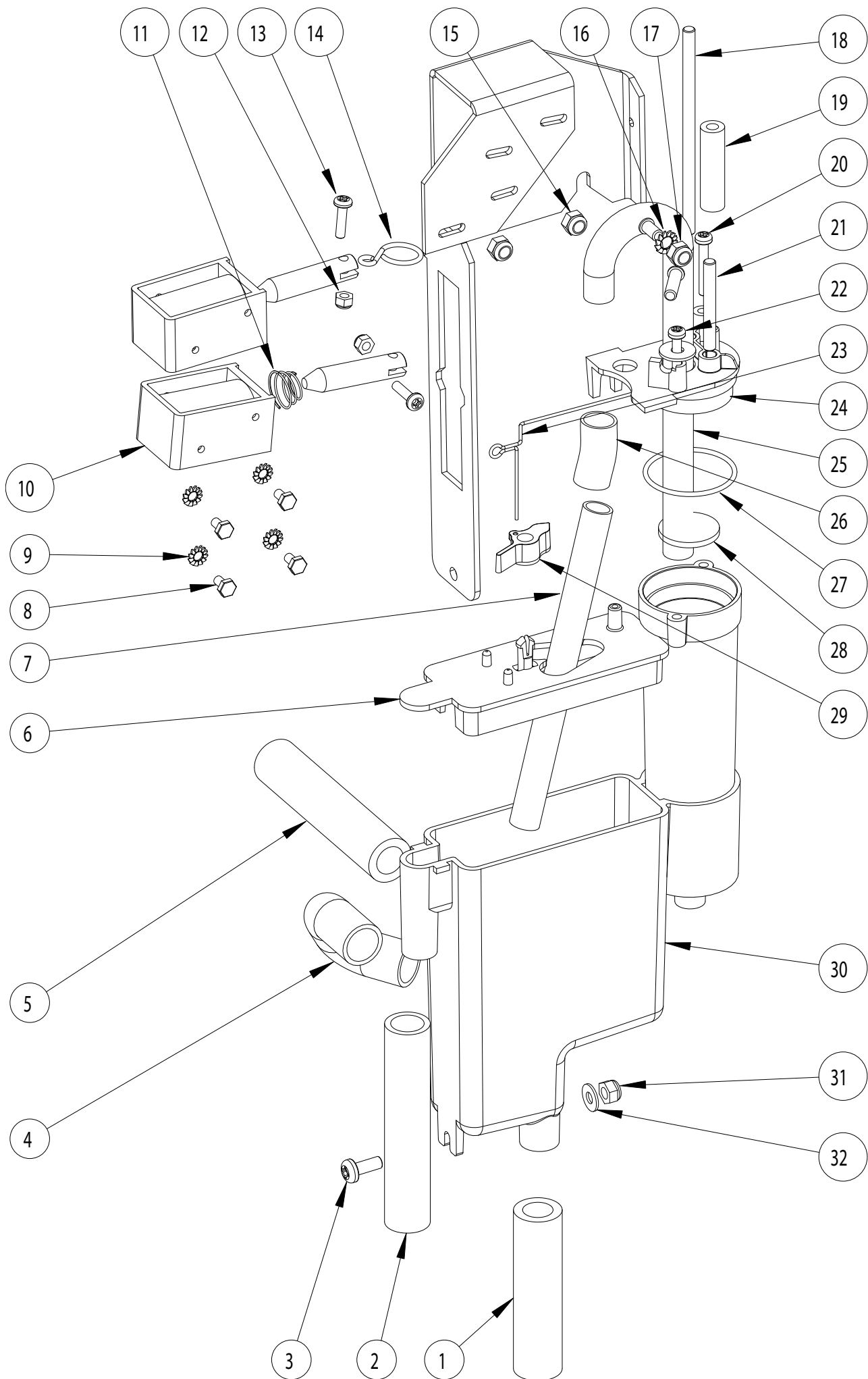


Plate  
14

Pos.	Part no.	Description	Qty
1	970011888000	Silicone tube Ø16 x Ø10	1
2	970011697000	Silicone tube Ø15 x Ø11	1
3	990260044000	Screw M4 x 10	1
4	4325000	Silicone tube Ø16xØ10 40x60	1
5	4326000	Silicone tube Ø16xØ10 60x115	1
6	2001136	Cover for water dispenser	1
7	2001140	Pipe	1
8	4100000	Bolt M3 x 5mm	4
9	920260026000	Lockwasher 3mm	4
10	4079000	Solenoid	2
11	2001432	Spring return	1
12	990260043000	Nut M3 nyloc	2
13	4106000	Screw M3 x 12	2
14	2001435	Pulling clip	1
15	990260044000	Nut M4 nyloc	2
16	990160004000	Lockwasher 4mm	1
17	990260044000	Nut M4 nyloc	1
18	2001276	Sensor 77 mm	1
19	4129000	Silicone tube Ø8xØ4x200	1
20	4200013	Screw Ø3x20 PT	2
21	2001277	Sensor 33 mm	1
22	3748000	Washer Ø3xØ9x1	1
23	2001431	Guide pin	1
24	2001137	Cover	1
25	2001139	Pipe	1
26	4127000	Silicone tube Ø14x Ø8	1
27	4200024	O-ring Ø25.00 x Ø1.50	1
28	2001342	Baffle	1
29	2001430	Guide	1
30	2001594	Water dispenser	1
31	990260044000	Nut M4 nyloc	1
32	3748000	Washer Ø3xØ9x1	1

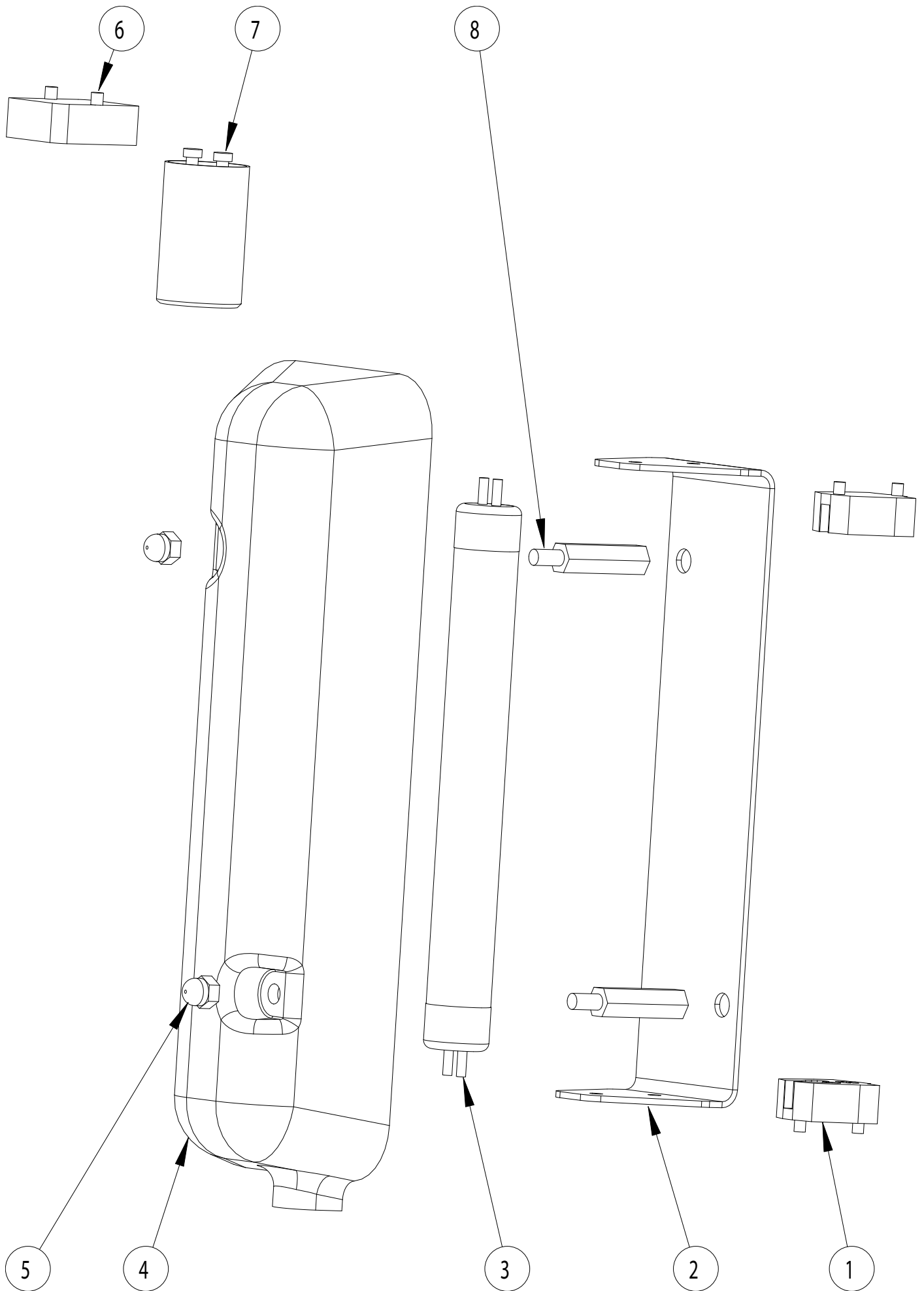


Plate  
15

Pos.	Part no.	Description	Qty
1	4162000	Lamp socket	1
2	2001404	Bracket	1
3	4150000	Fluorescent lamp 4W	1
4	2001405	Cover for light	1
5	970010790000	Cap nut M4	2
6	1709822	Starter socket	1
7	1708821	Starter	1
8	4147000	Spacer M4	2

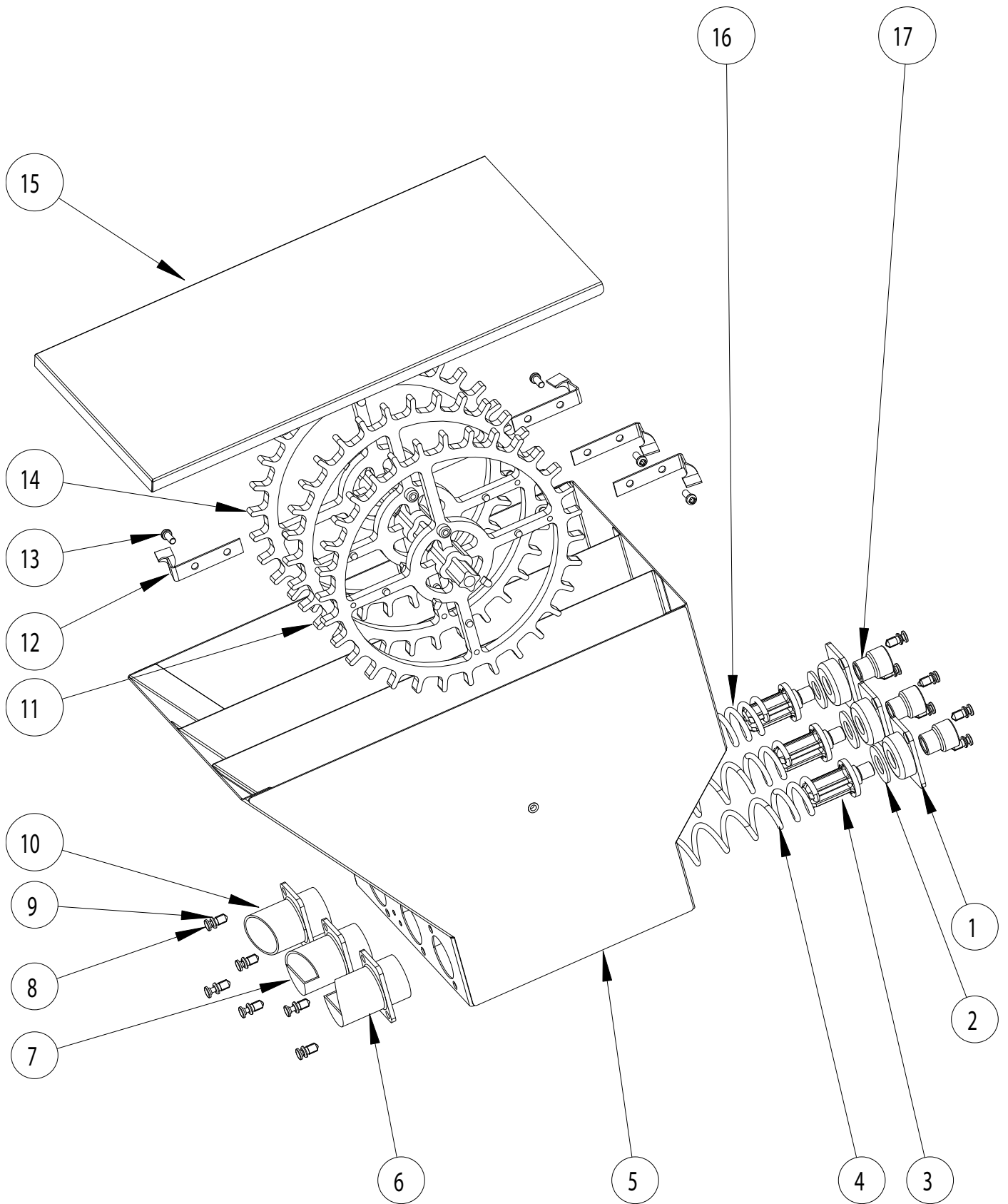


Plate  
16

Pos.	Part no.	Description	Qty
1	970010795000	Bearing for auger	3
2	990950001000	Felt washer	3
3	970011477590	Support for fast wire auger	3
4	2001273	Fast wire auger	2
5	2001539	Ingredient canister	1
6	2000801	Ingredient spout (LO)	1
7	2000802	Ingredient spout (RO)	1
8	970010696000	Bushing	12
9	970010697000	Pin	12
10	970010804000	Ingredient spout	1
11	2001611	Agitator 44 mm	2
12	970011315415	Agitator pin 29 mm	4
13	970010857000	Screw Ø3.5 x 8 PT	4
14	2001610	Agitator 71 mm	1
15	2001260	Lid for ingredient canister	1
16	2001272	Slow wire auger	1
17	970010796000	Coupler	3
	2001270	Slow wire auger complete Including 1,2,3,7,8,15 &16	1
	2001271	Fast wire auger complete Including 1,2,3,4,7, 8 & 16	2
	3883000	Support for wire auger compl. Including 1,2,3,7,8 & 16	2